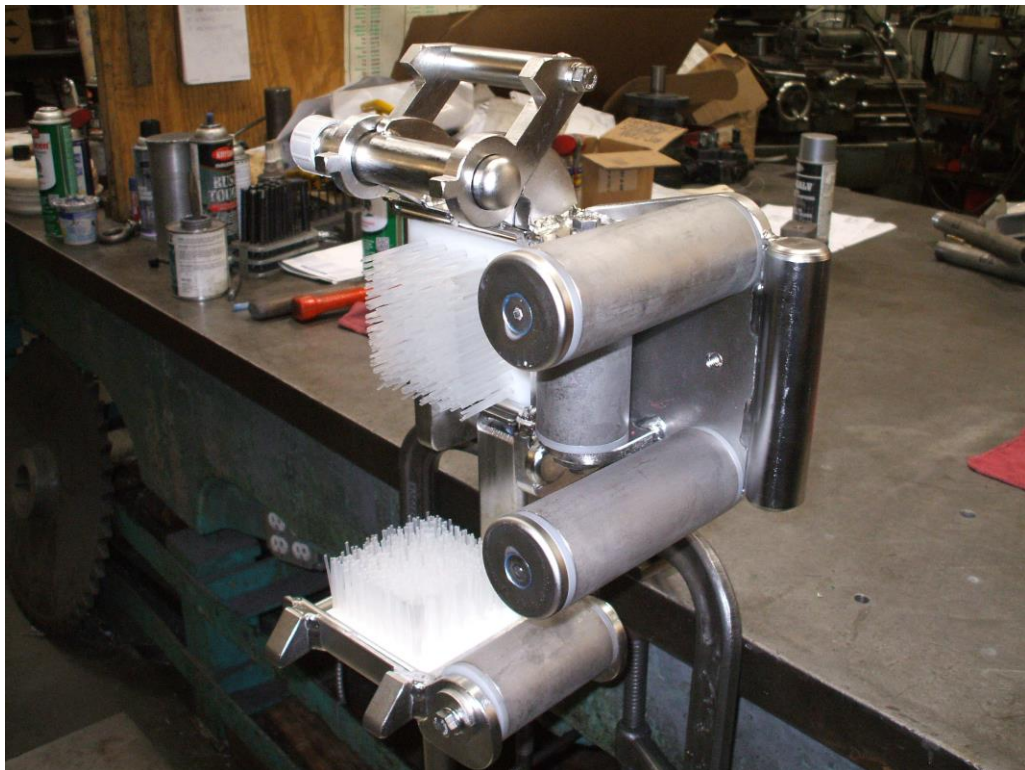
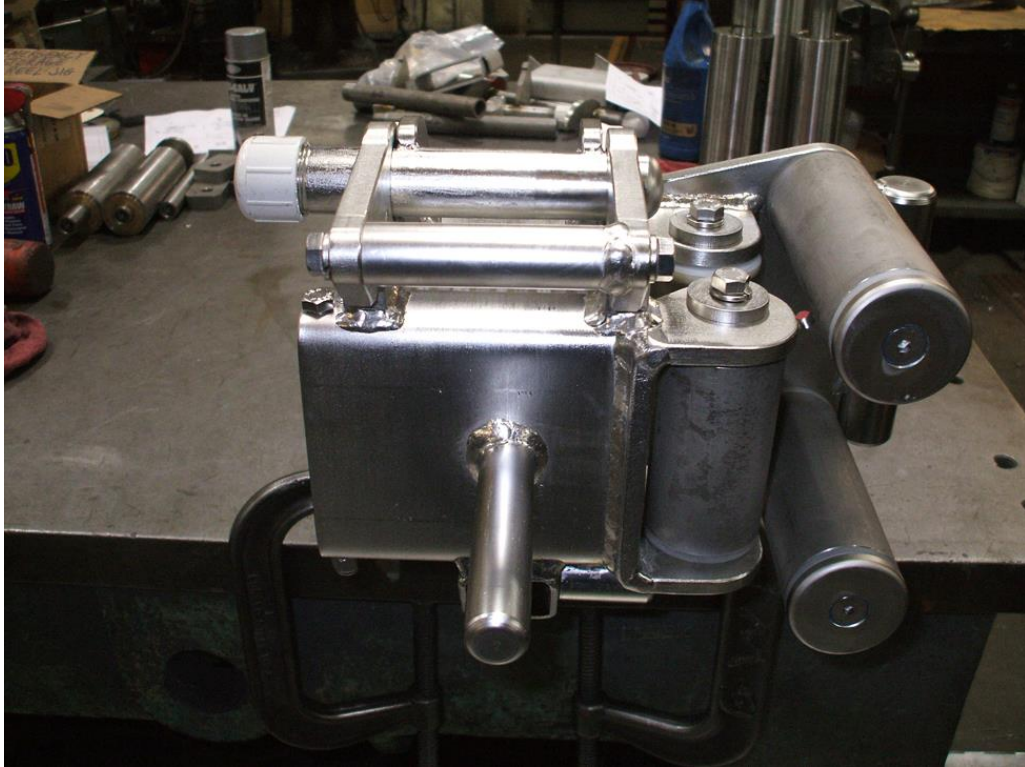
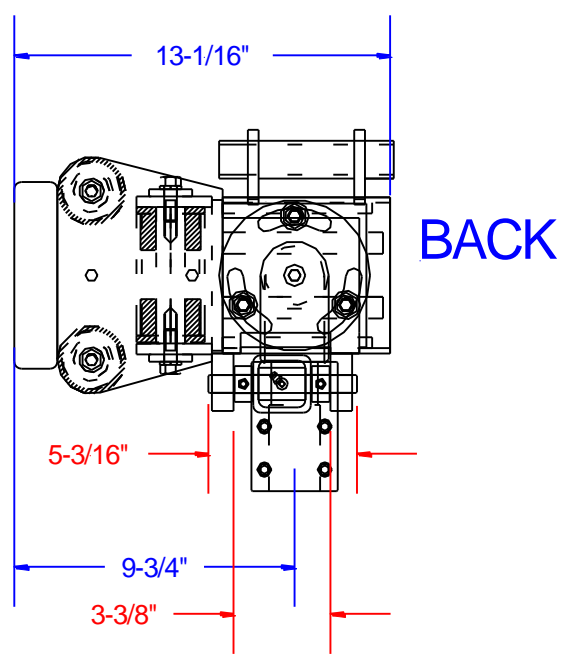
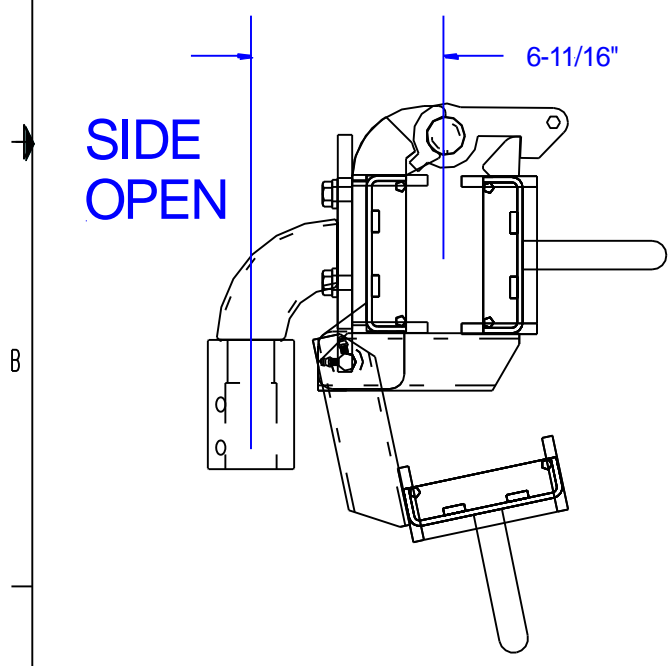
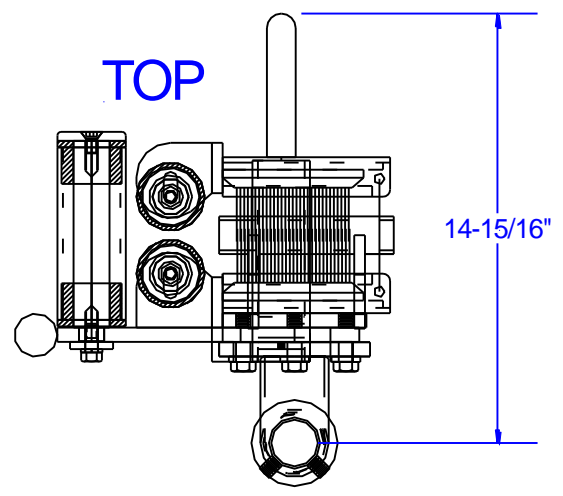
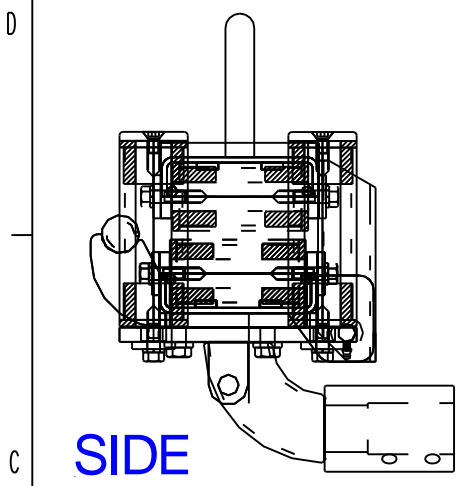


Call for pricing

SS fish stripper Short model



8 7 6 5 4 3 2 1



A

JK FABRICATION INC.
PH. 206-297-7400 (FAX 206-297-1300) SEATTLE WA

MATERIALS		DRAWING LABEL	
SS		SST Fish Stripper Complete Manual Short	
DATE	BY	DWG NO.	REV
11-07-14			
QTY	SCALE	JOB	SHEET

8 7 6 5 4 3 2 1