

# 36-30-1500 AND 40-30-3000 C SERIES GALVANIZED STEEL REDUCTION ANCHOR WINCHES



*J.K. FABRICATION MODEL 40-30-3000 C Galvanized Steel Anchor Winch*

## KEY FEATURES

- ***Galvanized Steel Construction for Maximum Strength and Long Life in the Marine Environment***
- ***Enclosed Oil Bath Chain Drive and Brake Assembly***
- ***Positive Stop Ratchet & Dog - Positively Locks Drum while Anchored***
- ***Powered by Industry Proven White DT Series Hydraulic Motor***
- ***3-Position Marinized-equipped Bi-Directional Control Valve Gives Excellent Winch Control of Power-in, Power-out, and Neutral Positions***
- ***Double Reduction Drive for up to 3000 Lb Anchor Weight***
- ***Winch is Pre-Plumbed with Stainless Steel Fittings and Tubing for Leak-free Operation***
- ***Many Drum Sizes Available***

**Specifications on Back**

For Ordering J.K. Fabrication  
Hydraulic Marine Equipment, Please  
Contact:



3101 W. Commodore Way  
Seattle, WA 98199

Phone: 206-297-7400

Fax: 206-297-1300

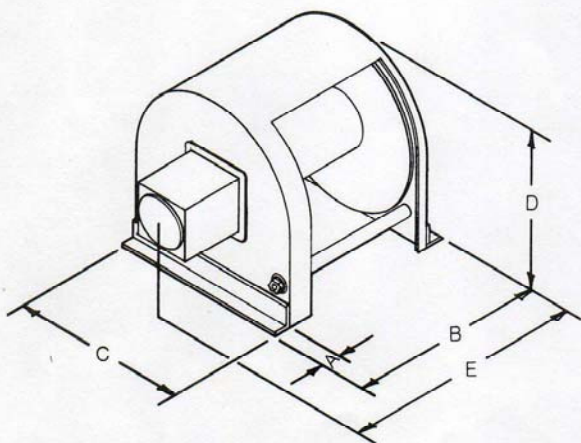
[www.jkfabrication.com](http://www.jkfabrication.com)

E-Mail: [jim@jkfabrication.com](mailto:jim@jkfabrication.com)

**36-1500 C AND 40-3000 C SERIES  
GALVANIZED STEEL ANCHOR WINCH  
REDUCTION DRIVE WITH BRAKE**

**WINCH PERFORMANCE BASED ON:  
25 GPM @ 2000 PSI**

<b>DRUM DIAMETER X WIDTH</b>	<b>36-30-1500C</b>	<b>40-30-3000C</b>
<b>LINE CAPACITY (FEET)</b>	<b>1" 1,275'</b>	<b>1 1/4" 970'</b>
<b>CHAIN (FEET)</b>	<b>1" 90'</b>	<b>1 1/4" 65'</b>
<b>FULL DRUM LINE PULL (LBS)</b>	<b>7,500</b>	<b>15,000</b>
<b>MID DRUM LINE SPEED (FEET PER MINUTE)</b>	<b>67</b>	<b>67</b>
<b>MAX ANCHOR (LBS)</b>	<b>1,500</b>	<b>3,000</b>
<b>WEIGHT (LBS)</b>	<b>2,100</b>	<b>3,200</b>
<b>A</b>	<b>3"</b>	<b>4"</b>
<b>B</b>	<b>41"</b>	<b>45"</b>
<b>C</b>	<b>38"</b>	<b>41"</b>
<b>D</b>	<b>39"</b>	<b>52"</b>
<b>E</b>	<b>64"</b>	<b>76"</b>



**For Ordering J.K Fabrication Hydraulic Marine  
Equipment, Please Contact:**



**3101 W. Commodore Way  
Seattle, WA 98199**

**Phone: 206-297-7400  
Fax: 206-297-1300**

[www.jkfabrication.com](http://www.jkfabrication.com)

**E-Mail: jim@jkfabrication.com**