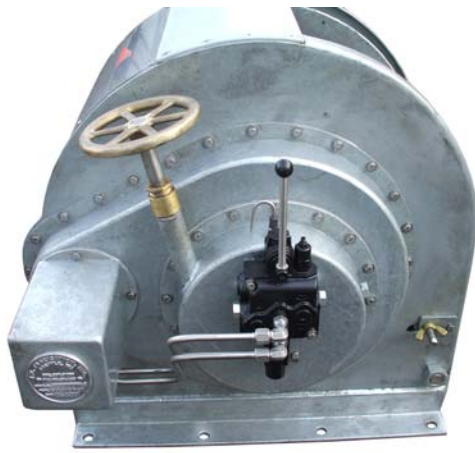


26R AND 28R SERIES STEEL GALVANIZED REDUCTION ANCHOR WINCHES



J.K. FABRICATION MODEL 28-20 Steel Galvanized Anchor Winch

KEY FEATURES

- ***Galvanized Steel Construction for Maximum Strength and Long Life in the Marine Environment***
- ***Enclosed Oil Bath Chain Drive and Brake Assembly***
- ***Positive Stop Ratchet & Dog - Positively Locks Drum while Anchored***
- ***Powered by Industry Proven White RE Series Hydraulic Motor***
- ***4-Position Marinized-equipped Directional Control Valve Gives Excellent Winch Control of Power-in, Power-out, Free-spool, and Neutral Positions***
- ***Motor Cover Protects Hydraulic Motor from the Elements***
- ***Winch is Pre-Plumbed with Stainless Steel Fittings and Tubing for Leak-free Operation***
- ***Many Drum Sizes Available***

For Ordering J.K Fabrication
Hydraulic Marine Equipment, Please
Contact:



3101 W. Commodore Way
Seattle, WA 98199

Phone: 206-297-7400
Fax: 206-297-1300

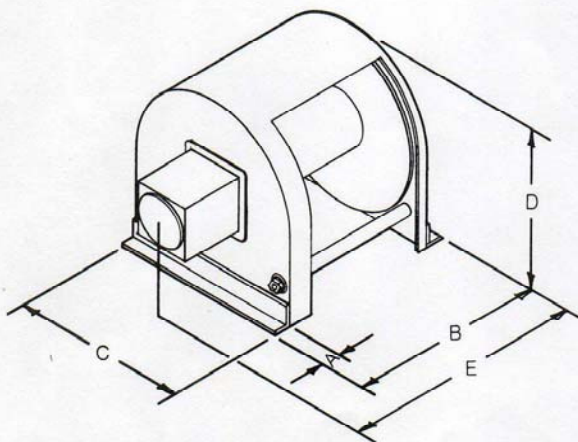
www.jkfabrication.com

E-Mail: jim@jkfabrication.com

**26 R AND 28 R SERIES
GALVANIZED STEEL ANCHOR WINCH
REDUCTION DRIVE WITH BRAKE**

**WINCH PERFORMANCE BASED ON:
12 GPM @ 1800 PSI**

DRUM DIAMETER X WIDTH	26-20 R	28-20 R
LINE CAPACITY (FEET)	3/4" 670'	3/4" 760'
CHAIN (FEET)	3/4" 75'	3/4" 85'
FULL DRUM LINE PULL (LBS)	2,425	2,250
MID DRUM LINE SPEED (FEET PER MINUTE)	67	67
MAX ANCHOR (LBS)	480	450
WEIGHT (LBS)	650	700
A	3"	3"
B	29"	29"
C	28"	30"
D	29"	31"
E	40"	40"



**For Ordering J.K Fabrication Hydraulic Marine
Equipment, Please Contact:**



**3101 W. Commodore Way
Seattle, WA 98199**

Phone: 206-297-7400

Fax: 206-297-1300

www.jkfabrication.com

E-Mail: jim@jkfabrication.com