

26 C, 28 C AND 32 C SERIES GALVANIZED STEEL OR STAINLESS STEEL REDUCTION ANCHOR WINCHES



J.K. FABRICATION MODEL 26 C Stainless Steel Anchor Winch

KEY FEATURES

- **Galvanized Steel (or Optional Stainless Steel) Construction for Maximum Strength and Long Life in the Marine Environment**
- **Enclosed Oil Bath Chain Drive and Brake Assembly**
- **Positive Stop Ratchet & Dog - Positively Locks Drum while Anchored**
- **Powered by Industry Proven White RE Series Hydraulic Motor**
- **3-Position Marinized-equipped Directional Control Valve Gives Excellent Winch Control of Power-in, Power-out, and Neutral Positions**
- **Continuously Driven Cast Iron (or Optional Stainless Steel) Capstan**
- **Winch is Pre-Plumbed with Stainless Steel Fittings and Tubing for Leak-free Operation**
- **Many Drum Sizes Available**

Specifications on Back

For Ordering J.K. Fabrication
Hydraulic Marine Equipment, Please
Contact:



3101 W. Commodore Way
Seattle, WA 98199

Phone: 206-297-7400
Fax: 206-297-1300

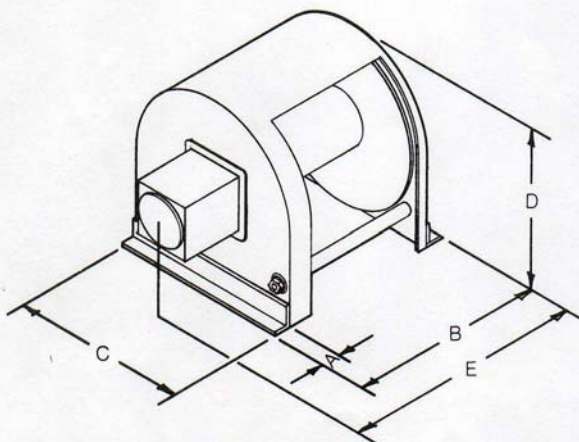
www.jkfabrication.com

E-Mail: jim@jkfabrication.com

**26 C, 28 C AND 32 C SERIES
STEEL GALVANIZED ANCHOR WINCH
REDUCTION DRIVE WITH BRAKE**

WINCH PERFORMANCE BASED ON:

DRUM DIAMETER X WIDTH	15 GPM @ 1000 PSI		22 GPM @ 3000 PSI		
	26-26C	28-20C	32-22C	32-24C	32-26C
LINE CAPACITY (FEET)	3/4" 670'	1" 760'	1" 645'	1" 705'	1" 765'
CHAIN (FEET)	3/4" 75'	3/4" 85'	1" 75'	1" 80'	1" 85'
FULL DRUM LINE PULL (LBS)	1244	1244	3950	3950	3950
MID DRUM LINE SPEED (FEET PER MINUTE)	67	67	67	67	67
MAX ANCHOR (LBS)	380	350	790	790	790
WEIGHT (LBS)	900	1000	1400	1450	1500
A	3"	3"	3"	3"	3"
B	29"	29"	32"	34"	36"
C	28"	30"	34"	34"	34"
D	29"	32"	34 1/2"	34 1/2"	34 1/2"
E	45 1/2"	45 1/2"	52"	54"	56"



For Ordering J.K Fabrication Hydraulic Marine
Equipment, Please Contact:



3101 W. Commodore Way
Seattle, WA 98199

Phone: 206-297-7400
Fax: 206-297-1300

www.jkfabrication.com
E-Mail: jim@jkfabrication.com