

18 R, 20 R AND 24 R SERIES GALVANIZED STEEL REDUCTION ANCHOR WINCHES



J.K. FABRICATION MODEL 18-20 Galvanized Steel Anchor Winch

KEY FEATURES

- ***Galvanized Steel Construction for Maximum Strength and Long Life in the Marine Environment***
- ***Enclosed Oil Bath Chain Drive and Brake Assembly***
- ***Positive Stop Ratchet & Dog - Positively Locks Drum while Anchored***
- ***Powered by Industry Proven White RE Series Hydraulic Motor***
- ***4-Position Marinized-equipped Directional Control Valve Gives Excellent Winch Control of Power-in, Power-out, Freewheel, and Neutral Positions***
- ***Motor Cover Protects Hydraulic Motor from the Elements***
- ***Winch is Pre-Plumbed with Stainless Steel Fittings and Tubing for Leak-free Operation***
- ***Many Drum Sizes Available***

For Ordering J.K. Fabrication
Hydraulic Marine Equipment, Please
Contact:



3101 W. Commodore Way
Seattle, WA 98199

Phone: 206-297-7400

Fax: 206-297-1300

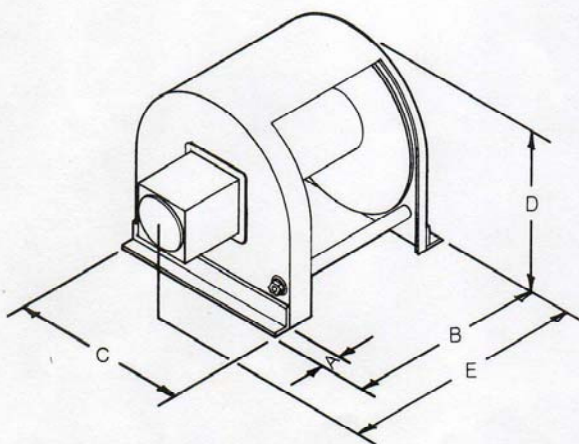
www.jkfabrication.com

E-Mail: jim@jkfabrication.com

**18 R, 20 R, AND 24 R SERIES
GALVANIZED STEEL ANCHOR WINCH
REDUCTION DRIVE**

**WINCH PERFORMANCE BASED ON:
12 GPM @ 1800 PSI**

DRUM DIAMETER X WIDTH	18-15	18-20	20-15	20-22	24-15
LINE CAPACITY (FEET)	5/8" 450'	5/8" 600'	5/8" 450'	3/4" 440'	3/4" 420'
CHAIN (FEET)	1/2" 55'	1/2" 75'	5/8" 50'	5/8" 70'	3/4" 75'
FULL DRUM LINE PULL (LBS)	1,244	1,244	1,120	1120	995
MID DRUM LINE SPEED (FEET PER MINUTE)	67	67	67	67	67
MAX ANCHOR (LBS)	240	240	224	224	185
WEIGHT (LBS)	315	360	400	450	475
A	2"	2"	2"	2"	2"
B	21 1/2"	26 1/2"	21 1/2"	28 1/2"	21 1/2"
C	22"	22"	24"	24"	26"
D	21"	21"	23"	23"	27"
E	32"	37"	32"	39"	32"



**For Ordering J.K Fabrication Hydraulic Marine
Equipment, Please Contact:**



**3101 W. Commodore Way
Seattle, WA 98199**

**Phone: 206-297-7400
Fax: 206-297-1300**

www.jkfabrication.com

E-Mail: jim@jkfabrication.com