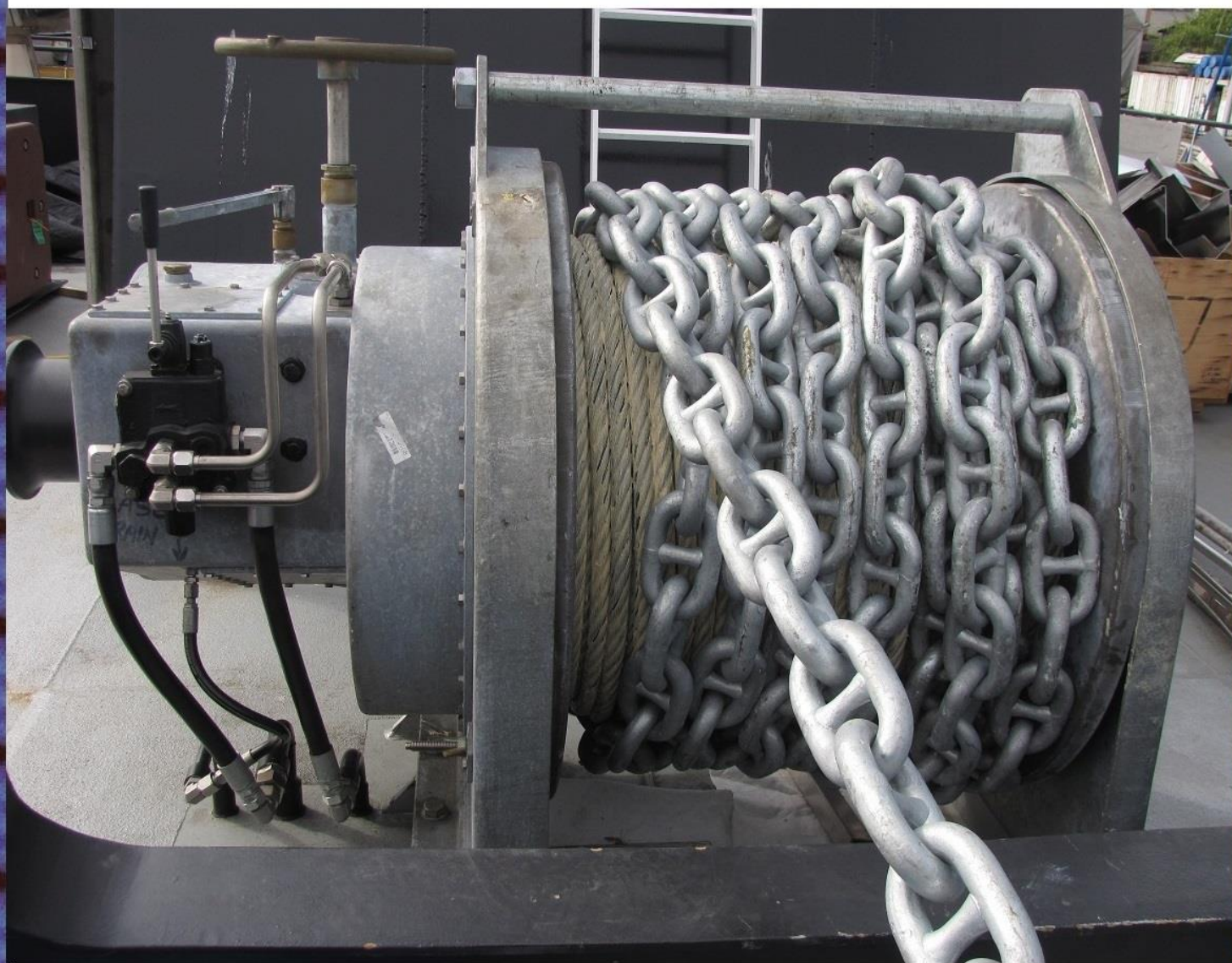


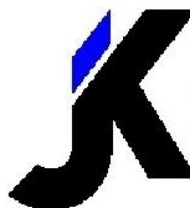
As described in Professional Mariner, July 2014

JK Fabrication presents...

**The DNV (Type Approved)
40-30-3000-C ANCHOR WINDLASS
*The First-Ever—in the United States!***



*As installed on...
the F/V ARCTIC PROWLER*



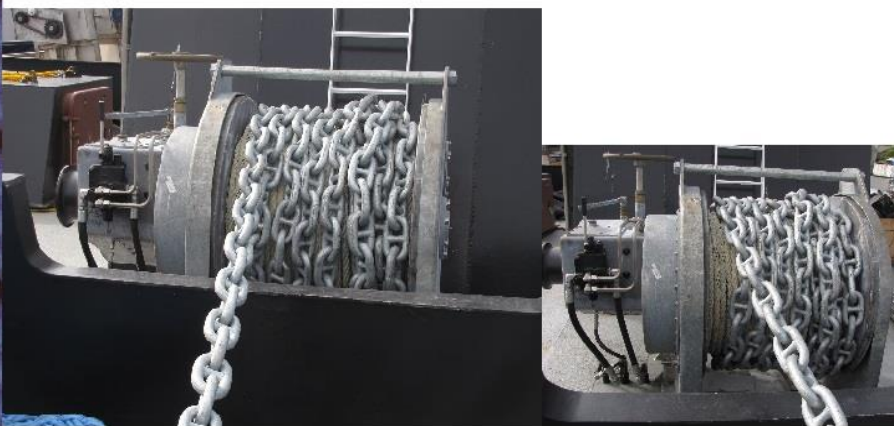
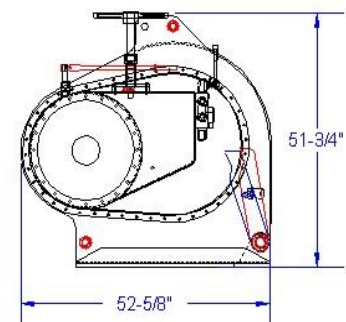
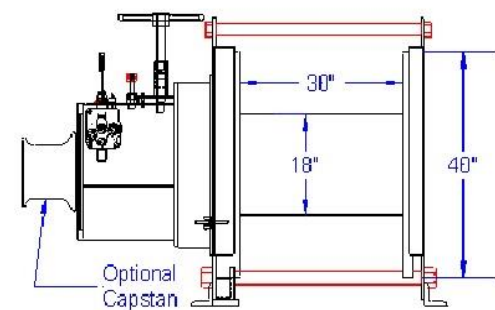
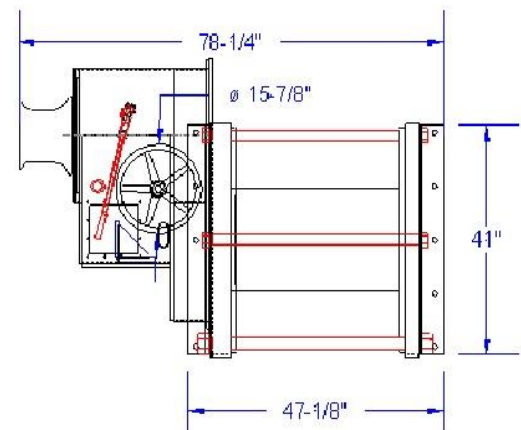
JK FABRICATION, Inc.
HYDRAULIC MARINE EQUIPMENT
Exclusive Manufacturer, NORDIC MACHINE™ Products
Email: jkfabrication@comcast.net
Phone: (206) 297-7400
Web: jkfabrication.com

JK The DNV (Type Approved) 40-30-3000-C ANCHOR WINDLASS

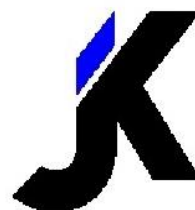


SUMMARY SPECIFICATIONS

- **Maximum anchor weight:** 3000 lbs
- **Total chain case reduction ratio:** 17.72: 1
- **Holding capacity:** 950' of 1 1/8" wire rope, plus one shot (90') of 1 3/16" Grade 2 Chain
- **Bare drum line pull and speed:** 33,400 lbs @ 23 FPM
- **Full drum line pull and speed:** 15,029 lbs @ 50 FPM
- **Valve:** Walvoil SD-18/1-P (KG3V18L/AET 1 Spool)
- **Motor:** White Hydraulics DT series 64 C.I.
- **Primary drive chain:** 80 Double x 71"
- **Secondary drive chain:** 140 Double x 89 3/16"
- **Maximum continuous pressure and flow:** 2000 psi @ 25 GPM
- **Hydraulic oil:** ISO 46, viscosity 100-200 SUS (recommended)
- **Maximum operating temperature:** 180 degrees F.
- **Pressure and return drain size:** 16 SAE
- **Case drain requirement:** 3/8" NPT



*As installed on...
the F/V ARCTIC PROWLER*



JK FABRICATION, Inc.
HYDRAULIC MARINE EQUIPMENT
Exclusive Manufacturer, NORDIC MACHINE™ Products
Email: jkfabrication@comcast.net
Phone: (206) 297-7400
Web: jkfabrication.com