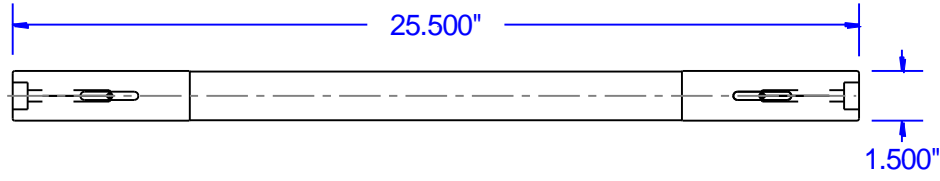


8" Side Roller

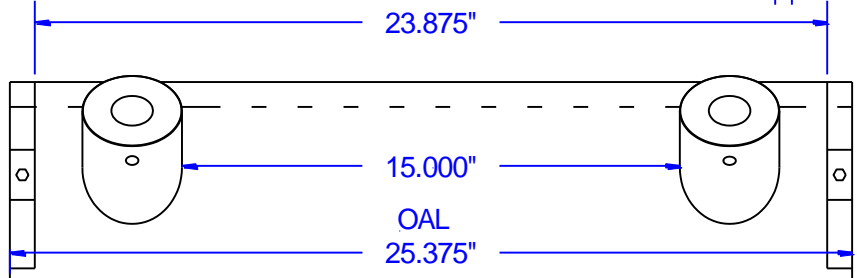
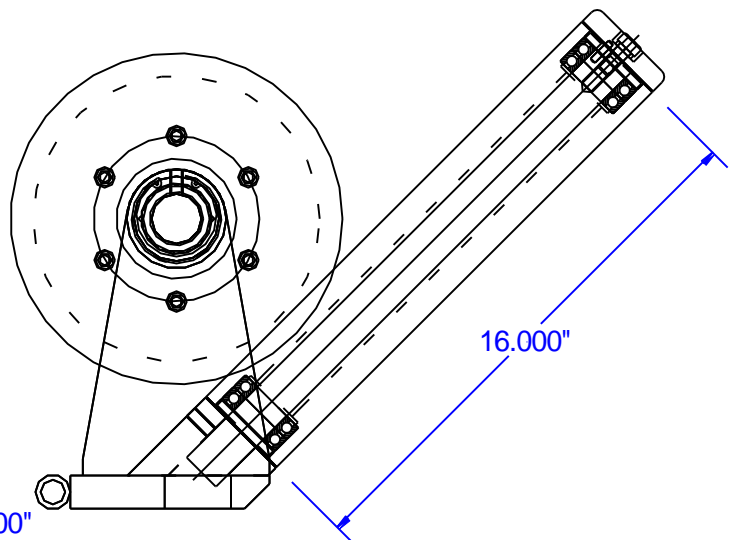
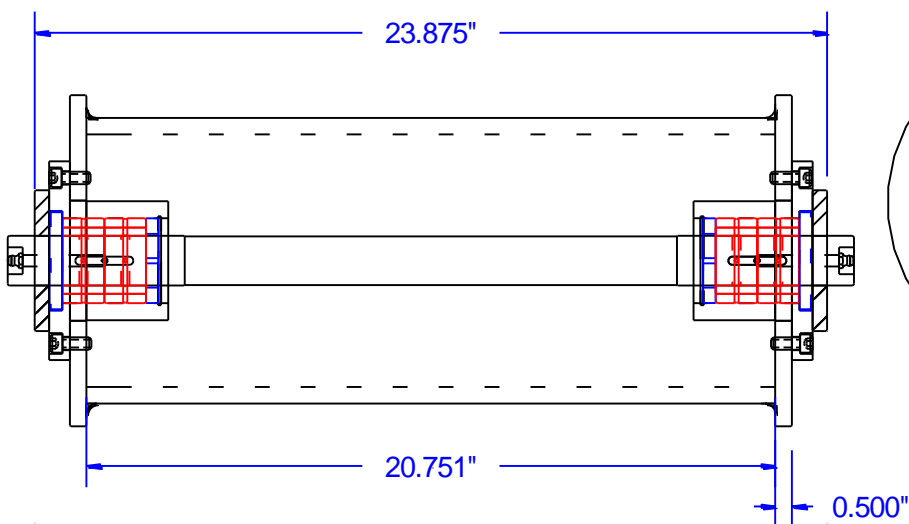


8 7 6 5 4 3 2 1



Price
\$7,990.00

SR-15-XXH-8
15" complete



JK FABRICATION INC.			
PH. 206-297-7400 (FAX 206-297-1300) SEATTLE WA			
MATERIALS	DRAWING LABEL		
	8" side roller 15" between horns		
DATE	BY	DWG NO.	REV
QTY	SCALE	JOB	SHEET

8 7 6 5 4 3 2 1

8 7 6 5 4 3 2 1

part #3			
ITEM NO.	PART #	DESCRIPTION	QTY
20	SR-8-20	barrel hub only	1
22	SR-8-22	barrel hub snap ring	1
23	SR-8-23	barrel hub spacer	1
24	SR-8-24	barrel hub outer bearing	2
25	SR-8-25	barrel hub inner race	2
26	SR-8-26	barrel hub seal	1

PART # OR SIZE	ITEM NO.	PART #	DESCRIPTION	QTY
#18 thru #27 & #30 parts	1	SR-8-1	barrel roller complete	1
#9 thru #17 parts	2	SR-8-2	horn roller complete	1
#9 thru #11 parts	2A	SR-8-2A	horn roller with bearings & seals	1
#20 & #22 thru #27 parts	3	SR-8-3	barrel roller hub complete	1
11/16" round SS 23-15/16" long	4	SR-8-4	frame hinge shaft	1
1" OD X 1/4" thick SS water jet	5	SR-8-5	frame hinge shaft washer	2
3/8"-16 X 1" SS HH CS	6	SR-8-6	frame hinge shaft bolt	2
3/4" seamless steel pipe 23-3/4" long	7	SR-8-7	frame hinge weld down pipe	2
seaport steel burn per DWG	8	SR-8-8	frame galvanized	1
3" X 16" long round 17-4 SS	9	SR-8-9	horn roller only	2
R-bearing	10	SR-8-10	horn bearing	4
TCM-seal	11	SR-8-11	horn seal	2
3" OD 1/32" thick brass	12	SR-8-12	horn thrust washer	4
3" OD cap machined	13	SR-8-13	horn cap	2
7/16" SS lock washer	14	SR-8-14	horn cap lock washer	2
7/16"-14 SS HH CS	15	SR-8-15	horn cap bolt	2
3/16" X 3/4" steel roll pin	16	SR-8-16	horn shaft roll pin	2
1-1/4" X 17-3/4" long round 303 SS	17	SR-8-17	horn shaft	2
1-1/2" X 25-1/2" long round 303 SS	18	SR-8-18	barrel shaft	1
8" SH80 SS 20-3/4" seamless pipe	19	SR-8-19	barrel machined with end plates	1
6" round X 3-9/16" long 304 SS	20	SR-8-20	barrel hub only	2
3/8" X 7/8" SS Soc head CS	21	SR-8-21	barrel hub bolt	12
3000X256ST snap ring (steel)	22	SR-8-22	barrel hub snap ring	2
3/8" thick X 3-9/16" OD 304 SS	23	SR-8-23	barrel hub spacer	2
Bearings HJ	24	SR-8-24	barrel hub outer bearing	4
Bearings IR	25	SR-8-25	barrel hub inner race	4
TCM-seal	26	SR-8-26	barrel hub seal	2
4-1/4" round X 7/16" nylatron	27	SR-8-27	barrel hub thrust washer	2
3/8"-16 X 3/4" SS set screw	28	SR-8-28	barrel shaft set screw	2
3/8"-16 X 7/8" SS set screw	29	SR-8-29	horn shaft set screw	2
1/8" - 27 NPT SS zerk	30	SR-8-30	grease fitting zerk	2

D

C

B

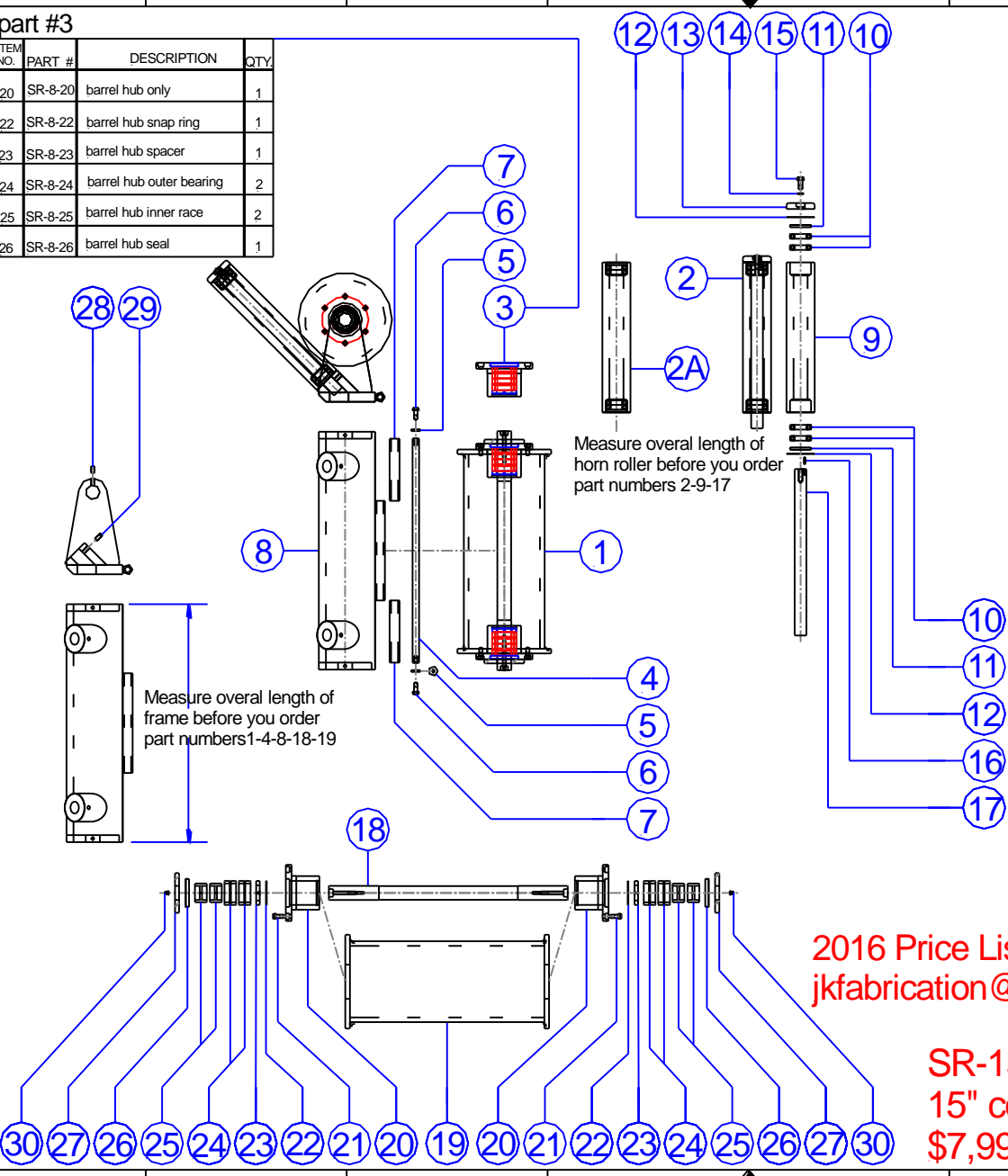
A

D

C

B

A



2016 Price List
jkfabrication@comcast

SR-15-XXH-8
15" complete
\$7,990.00

JK FABRICATION INC.

PH. 206-297-7400 (FAX 206-297-1300) SEATTLE WA

MATERIALS	DRAWING LABEL		
	8" barrel 15" between horns side roller		
DATE	BY	DWG NO.	REV
QTY	SCALE	JOB	SHEET

8 7 6 5 4 3 2 1