

24" LONGLINE HAULER

24" LONGLINE CONVERTIBLE HAULER

Convertible means that no matter how the vessel is configured, you can take our hauler apart, turn it left or right on any angle, up or down, and it will work.

Our units are Hot-dipped Galvanized finish. Standard Sheaves are Cast Iron. (Optional Stainless Steel or Bronze Materials are available).

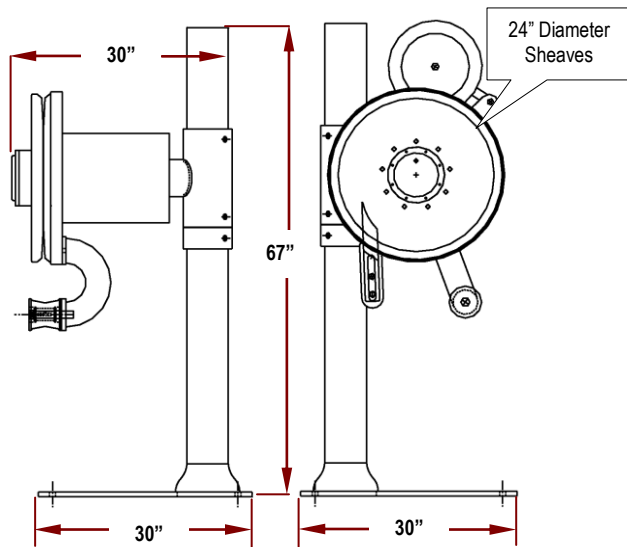
Our reputation for building quality hydraulic deck equipment is well-known throughout the West Coast, Alaska, and Russia.

KEY FEATURES

FOR 24" LONGLINE HAULER

- Galvanized and Stainless Steel Construction
- Cast Iron Main Drive Sheaves, or Optional Stainless Steel or Bronze Sheaves Available
- Standard J.K. Fabrication 24" Longline Hauler Comes Complete with One Cookie Cutter, One Fairlead, Adjustable Peeler Assembly & the Stand.

**ONLY THE BEST IS GOOD ENOUGH FOR YOUR BOAT!
 J.K. FAB HAULERS ARE THE BEST!**



*Standard with each 24" Hauler: Only One Cookie Cutter, One Fairlead, Adjustable Peeler Assembly & the Stand.



PRODUCT SPECIFICATIONS

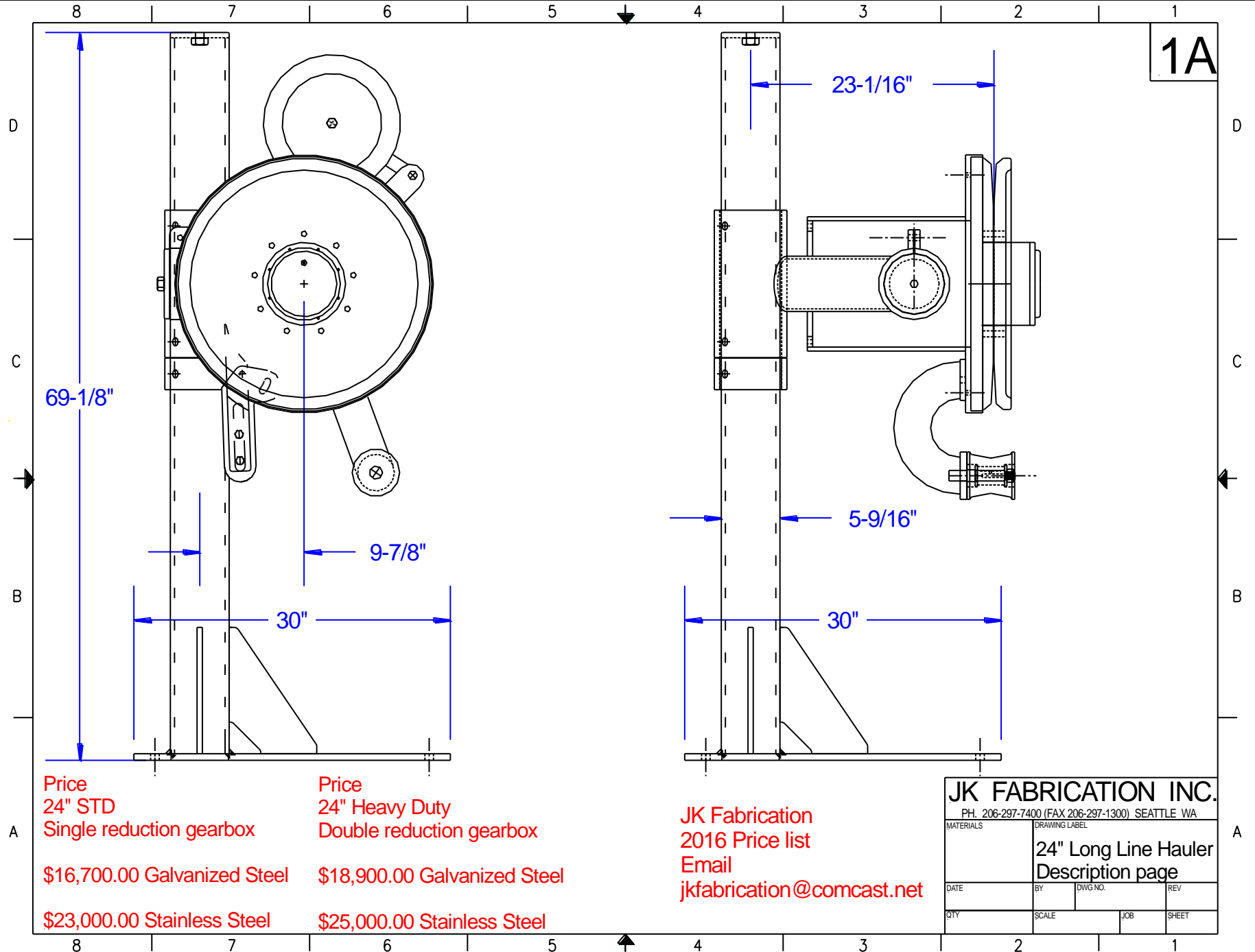
	Standard	Heavy Duty
Line Pull	2,000 Lbs. @ 2,500 PSI	4,500 Lbs. @ 2,500PSI
Line Speed	121 FPM @ 6 GPM 370 FPM @ 16 GPM	229 FPM @ 26 GPM 458 FPM @ 50 GPM
Weight	500 Lbs.	1,200 Lbs.

The Standard J.K. Fabrication 24" Longline Hauler, considered by many to be the 'Cadillac' in the Industry, has TWICE the Line Pull as compared to our popular 17" Hauler.

***(Note: Above picture displays Optional 2nd Cookie Cutter), One Fairlead, Adjustable Peeler, and Stand.**

The J.K. Fabrication 24" Longline Hauler is generally used for larger commercial fishing vessels hauling 7mm to 13mm Diameter Ground line.

1A



Price
24" STD
Single reduction gearbox

\$16,700.00 Galvanized Steel

\$23,000.00 Stainless Steel

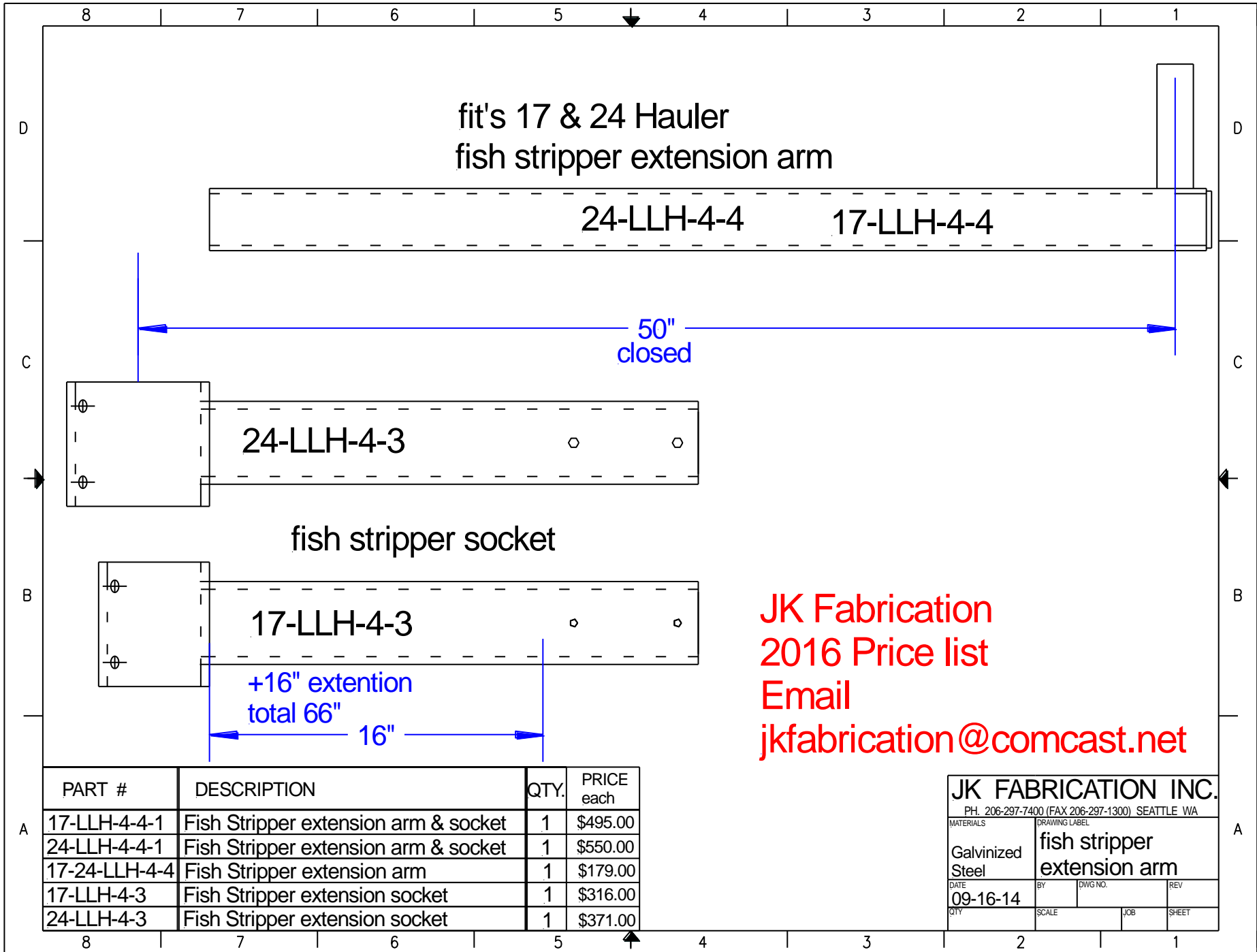
Price
24" Heavy Duty
Double reduction gearbox

\$18,900.00 Galvanized Steel

\$25,000.00 Stainless Steel

JK Fabrication
2016 Price list
Email
jkfabrication@comcast.net

JK FABRICATION INC.			
PH. 206-297-7400 (FAX 206-297-1300) SEATTLE WA			
MATERIALS	DRAWING LABEL		
	24" Long Line Hauler		
	Description page		
DATE	BY	DWG NO.	REV
QTY	SCALE	JOB	SHEET



fit's 17 & 24 Hauler
fish stripper extension arm

24-LLH-4-4

17-LLH-4-4

50"
closed

24-LLH-4-3

fish stripper socket

17-LLH-4-3

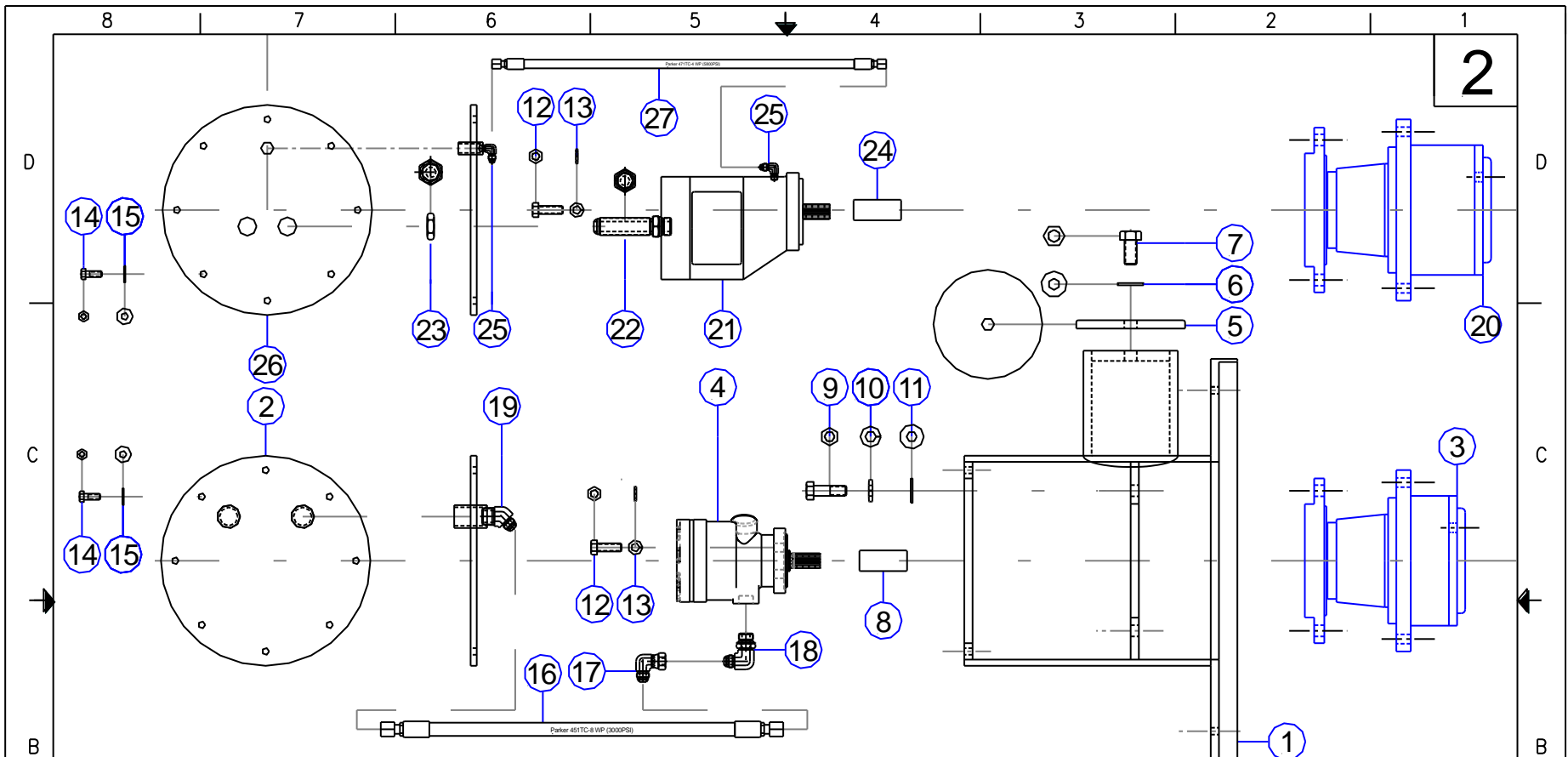
+16" extension
total 66"

16"

JK Fabrication
2016 Price list
Email
jkfabrication@comcast.net

PART #	DESCRIPTION	QTY.	PRICE each
17-LLH-4-4-1	Fish Stripper extension arm & socket	1	\$495.00
24-LLH-4-4-1	Fish Stripper extension arm & socket	1	\$550.00
17-24-LLH-4-4	Fish Stripper extension arm	1	\$179.00
17-LLH-4-3	Fish Stripper extension socket	1	\$316.00
24-LLH-4-3	Fish Stripper extension socket	1	\$371.00

JK FABRICATION INC.			
PH. 206-297-7400 (FAX 206-297-1300) SEATTLE WA			
MATERIALS	DRAWING LABEL		
Galvanized Steel	fish stripper extension arm		
DATE	BY	DWG NO.	REV
09-16-14			
CITY	SCALE	JOB	SHEET



ITEM NO.	PART #	DESCRIPTION	QTY.	ITEM NO.	PART #	DESCRIPTION	QTY.
1	24-LLH-2-1	Hauler Head	1	15	24-LLH-2-15	3/8" SS flat washer	8
2	24-LLH-2-2	Motor cover (single reduction)	1	16	24-LLH-2-16	#8 - JIC - Hose (24" Long)	2
3	24-LLH-2-3	Gear Box (single reduction)	1	17	24-LLH-2-17	8 - C6X - S	2
4	24-LLH-2-4	Motor (single reduction)	1	18	24-LLH-2-18	8 - 10 - C50X - S	2
5	24-LLH-2-5	Hauled Head (pinch clamp washer)	1	19	24-LLH-2-19	8 - 12 - VTX - S	2
6	24-LLH-2-6	3/4" SS flat washer	1	20	24-LLH-2-20	Gear Box (double reduction)	1
7	24-LLH-2-7	3/4" NC X 1-1/2" SS HH bolt	1	21	24-LLH-2-21	Motor (double reduction)	1
8	24-LLH-2-8	Coupling (single reduction)	1	22	24-LLH-2-22	12 - F50X - SS - (custom)	2
9	24-LLH-2-9	5/8" NC X 2" SS HH bolt	8	23	24-LLH-2-23	WLN - 12 - (bulkhead nut)	2
10	24-LLH-2-10	5/8" SS lock washer	8	24	24-LLH-2-24	Coupling (double reduction)	1
11	24-LLH-2-11	5/8" SS flat washer	8	25	24-LLH-2-25	4 - CTX - S	2
12	24-LLH-2-12	1/2" X 1-1/2" G-8 HH bolt	2	26	24-LLH-2-26	Mover cover (double reduction)	1
13	24-LLH-2-13	1/2" - 800 - 1DL washer (1 set =2)	2	27	24-LLH-2-27	#4 - JIC - Hose (18" Long case drain)	1
14	24-LLH-2-14	3/8" NC X 1" SS HH bolt	8				

JK Fabrication
 2016 Price list
 Email
jkfabrication@comcast.net

JK FABRICATION INC.
 PH. 206-297-7400 (FAX 206-297-1300) SEATTLE WA

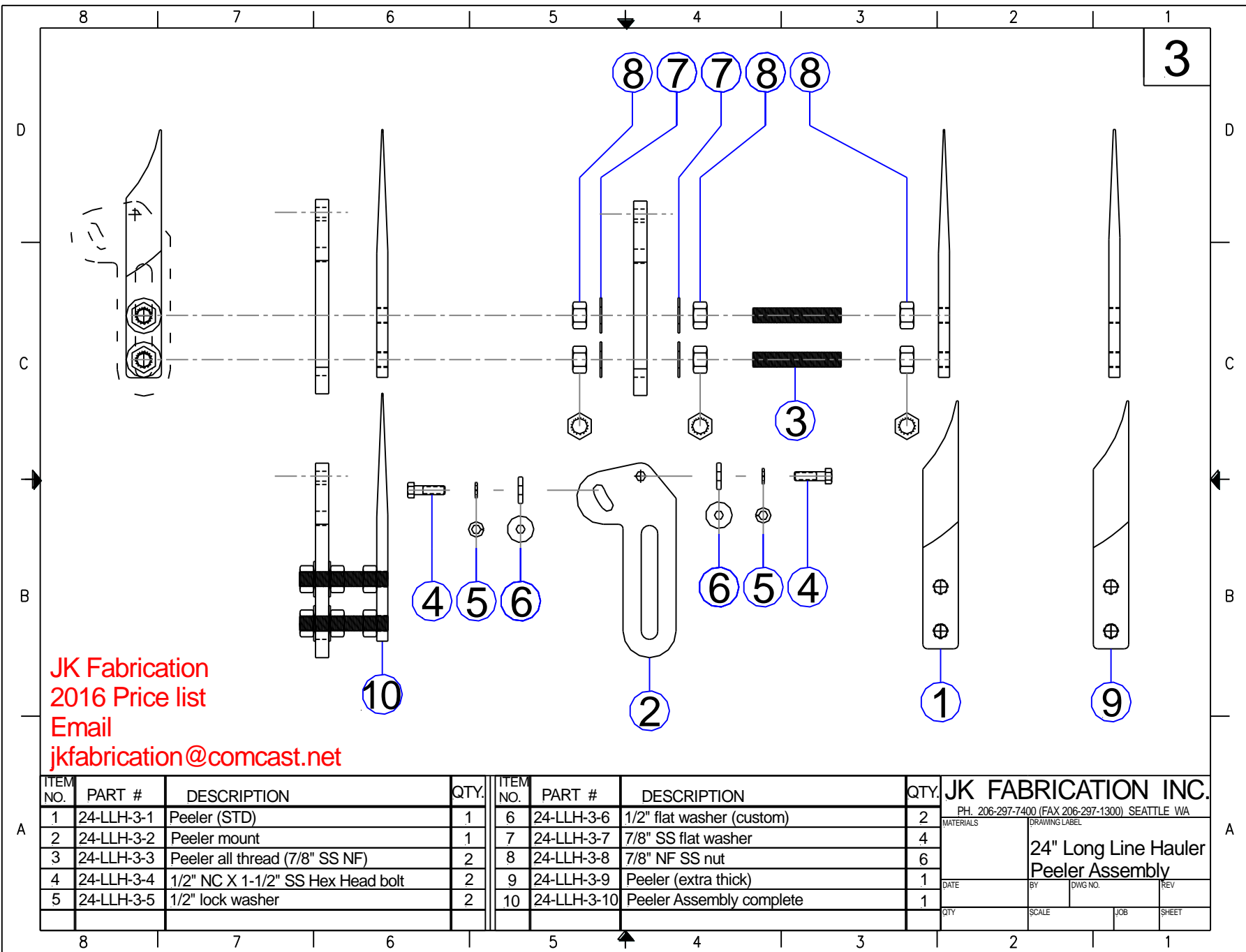
MATERIALS			
DRAWING LABEL			
24" Long Line Hauler Head single & double reduction			
DATE	BY	DWG NO.	REV
QTY	SCALE	JOB	SHEET

ITEM NO.	PART #	DESCRIPTION	QTY.	PRICE each
1	24-LLH-2-1	Hauler Head	1	\$2,950.00
2	24-LLH-2-2	Motor cover (single reduction)	1	\$289.00
3	24-LLH-2-3	Gear Box (single reduction)	1	\$1,675.00
4	24-LLH-2-4	Motor (single reduction)	1	\$600.00
5	24-LLH-2-5	Hauler Head (pinch clamp washer)	1	\$95.00
6	24-LLH-2-6	3/4" SS flat washer	1	\$0.70
7	24-LLH-2-7	3/4" NC X 1-1/2" SS HH bolt	1	\$2.86
8	24-LLH-2-8	Coupling (single reduction)	1	\$36.00
9	24-LLH-2-9	5/8" NC X 2" SS HH bolt	8	\$1.72
10	24-LLH-2-10	5/8" SS lock washer	8	\$0.34
11	24-LLH-2-11	5/8" SS flat washer	8	\$0.31
12	24-LLH-2-12	1/2" X 1-1/2" G-8 HH bolt	2	\$1.50
13	24-LLH-2-13	1/2" - 800 - 1DL washer (1 set =2)	2	\$12.88
14	24-LLH-2-14	3/8" NC X 1" SS HH bolt	8	\$0.50
15	24-LLH-2-15	3/8" SS flat washer	8	\$0.10
16	24-LLH-2-16	#8 - JIC - Hose (24" Long)	2	\$55.00
17	24-LLH-2-17	8 - C6X - S	2	\$11.18
18	24-LLH-2-18	8 - 10 - C50X - S	2	\$15.22
19	24-LLH-2-19	8 - 12 - VTX - S	2	\$18.10
20	24-LLH-2-20	Gear Box (double reduction)	1	\$1,850.00
21	24-LLH-2-21	Motor (double reduction)	1	\$723.00
22	24-LLH-2-22	12 - F50X - SS - (custom)	2	\$94.00
23	24-LLH-2-23	WLN - 12 - (bulkhead nut)	2	\$22.40
24	24-LLH-2-24	Coupling (double reduction)	1	\$40.00
25	24-LLH-2-25	4 - CTX - S	2	\$4.96
26	24-LLH-2-26	Motor cover (double reduction)	1	\$334.00
27	24-LLH-2-27	#4 - JIC - Hose (18" long case drain)	1	\$38.16

JK Fabrication
2016 Price list
Email
jkfabrication@comcast.net

Page 2

JK FABRICATION INC.			
PH. 206-297-7400 (FAX 206-297-1300) SEATTLE WA			
MATERIALS	DRAWING LABEL		
	24" Long Line Hauler		
DATE	BY	DWG NO.	REV
QTY	SCALE	JOB	SHEET



JK Fabrication
 2016 Price list
 Email
jkfabrication@comcast.net

ITEM NO.	PART #	DESCRIPTION	QTY.
1	24-LLH-3-1	Peeler (STD)	1
2	24-LLH-3-2	Peeler mount	1
3	24-LLH-3-3	Peeler all thread (7/8" SS NF)	2
4	24-LLH-3-4	1/2" NC X 1-1/2" SS Hex Head bolt	2
5	24-LLH-3-5	1/2" lock washer	2

ITEM NO.	PART #	DESCRIPTION	QTY.
6	24-LLH-3-6	1/2" flat washer (custom)	2
7	24-LLH-3-7	7/8" SS flat washer	4
8	24-LLH-3-8	7/8" NF SS nut	6
9	24-LLH-3-9	Peeler (extra thick)	1
10	24-LLH-3-10	Peeler Assembly complete	1

JK FABRICATION INC.
 PH. 206-297-7400 (FAX 206-297-1300) SEATTLE WA
 MATERIALS DRAWING LABEL
24" Long Line Hauler Peeler Assembly
 DATE BY DWG NO. REV
 QTY SCALE JOB SHEET

A

A

JK Fabrication
 2016 Price list
 Email
 jkfabrication@comcast.net

Page 3

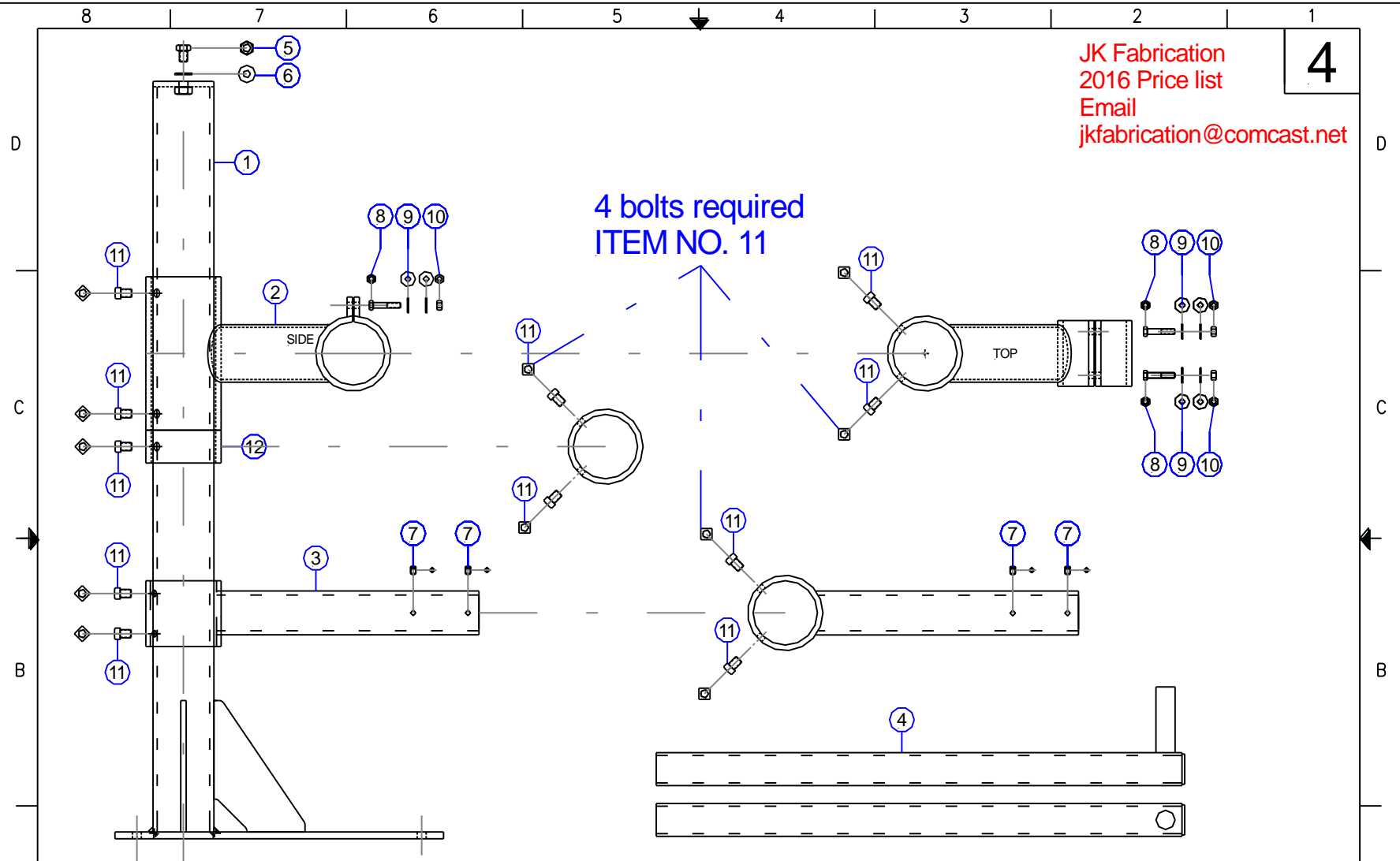
JK FABRICATION INC.			
PH. 206-297-7400 (FAX 206-297-1300) SEATTLE WA			
MATERIALS	DRAWING LABEL		
	24" Long Line Hauler		
DATE	BY	DWG NO.	REV
QTY	SCALE	JOB	SHEET

ITEM NO.	PART #	DESCRIPTION	QTY.	PRICE each
1	24-LLH-3-1	Peeler (STD)	1	\$288.00
2	24-LLH-3-2	Peeler mount	1	\$189.00
3	24-LLH-3-3	Peeler all thread (7/8" SS NF)	2	\$62.00
4	24-LLH-3-4	1/2" NC X 1-1/2" SS Hex Head bolt	2	\$0.88
5	24-LLH-3-5	1/2" lock washer	2	\$0.18
6	24-LLH-3-6	1/2" flat washer (custom)	2	\$14.00
7	24-LLH-3-7	7/8" SS flat washer	4	\$0.82
8	24-LLH-3-8	7/8" NF SS nut	6	\$4.00
9	24-LLH-3-9	Peeler (extra thick)	1	\$288.00
10	24-LLH-3-10	Peeler Assembly complete	1	\$601.00

JK Fabrication
 2016 Price list
 Email
 jkfabrication@comcast.net

4

4 bolts required
 ITEM NO. 11



ITEM NO.	PART #	DESCRIPTION	QTY.	ITEM NO.	PART #	DESCRIPTION	QTY.
1	24-LLH-4-1	stand	1	7	24-LLH-4-7	1/2" NC X 3/4" SS SH set screw	4
2	24-LLH-4-2	gooseneck	1	8	24-LLH-4-8	1/2" NC X 2-1/2" SS HH cap screw	2
3	24-LLH-4-3	fish stripper socket	1	9	24-LLH-4-9	1/2" SS flat washer	4
4	24-LLH-4-4	fish stripper extension arm	1	10	24-LLH-4-10	1/2" NC Heavy hex nut	2
5	24-LLH-4-5	top bolt for stand 3/4" X 1" SS HH CS	1	11	24-LLH-4-11	3/4" NC X 1" Sq head set screw Galv steel	4
6	24-LLH-4-6	top washer for stand 3/4" SS FW	1	12	24-LLH-4-12	set collar	1

JK FABRICATION INC.
 PH. 206-297-7400 (FAX 206-297-1300) SEATTLE WA
 MATERIALS: MS Galv
 DRAWING LABEL: 24" Long Line Hauler Stand - gooseneck fish stripper extension arm
 DATE: BY: DWG NO.: REV:
 QTY: SCALE: JOB: SHEET:

JK Fabrication
 2016 Price list
 Email
 jkfabrication@comcast.net

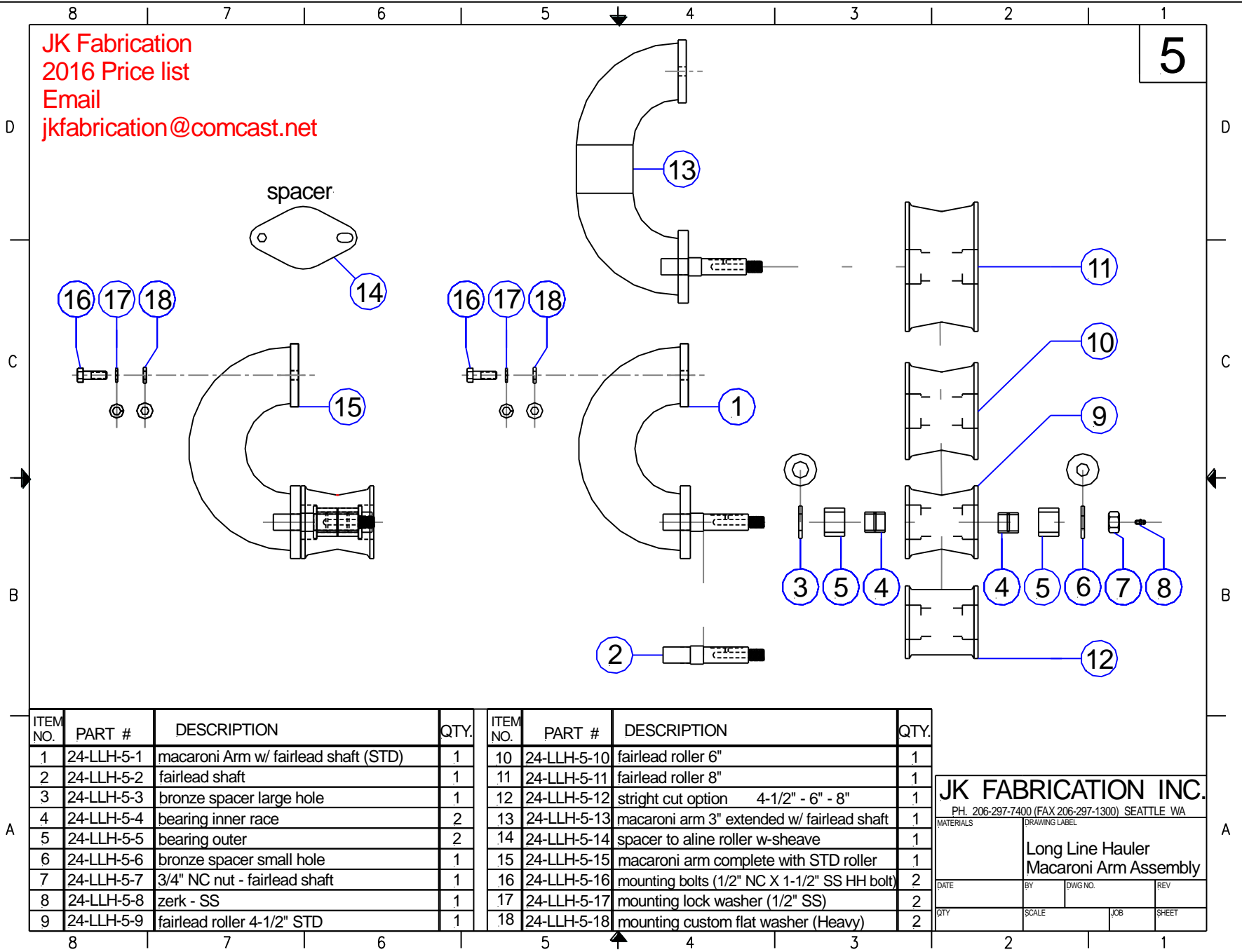
Page 4

ITEM NO.	PART #	DESCRIPTION	QTY.	PRICE each
1	24-LLH-4-1	stand	1	\$1,098.00
2	24-LLH-4-2	gooseneck	1	\$850.00
3	24-LLH-4-3	fish stripper socket	1	\$323.00
4	24-LLH-4-4	fish stripper extension arm	1	\$289.00
5	24-LLH-4-5	top bolt for stand 3/4" X 1" SS HH CS	1	\$2.50
6	24-LLH-4-6	top washer for stand 3/4" SS FW	1	\$0.70
7	24-LLH-4-7	1/2" NC X 3/4" SS set screw	4	\$0.60
8	24-LLH-4-8	1/2" NC X 2-1/2" SS Hex Head bolt	2	\$1.42
9	24-LLH-4-9	1/2" SS flat washer	4	\$0.18
10	24-LLH-4-10	1/2" NC Heavy hex nut	2	\$1.62
11	24-LLH-4-11	3/4" NC X 1" Sq head set screw Galv steel		\$3.50
12	24-LLH-4-12	set collar	1	\$95.00

JK FABRICATION INC.			
PH. 206-297-7400 (FAX 206-297-1300) SEATTLE WA			
MATERIALS	DRAWING LABEL		
	24" Long Line Hauler		
DATE	BY	DWG NO.	REV
QTY	SCALE	JOB	SHEET

JK Fabrication
 2016 Price list
 Email
 jkfabrication@comcast.net

5



ITEM NO.	PART #	DESCRIPTION	QTY.	ITEM NO.	PART #	DESCRIPTION	QTY.
1	24-LLH-5-1	macaroni Arm w/ fairlead shaft (STD)	1	10	24-LLH-5-10	fairlead roller 6"	1
2	24-LLH-5-2	fairlead shaft	1	11	24-LLH-5-11	fairlead roller 8"	1
3	24-LLH-5-3	bronze spacer large hole	1	12	24-LLH-5-12	stright cut option 4-1/2" - 6" - 8"	1
4	24-LLH-5-4	bearing inner race	2	13	24-LLH-5-13	macaroni arm 3" extended w/ fairlead shaft	1
5	24-LLH-5-5	bearing outer	2	14	24-LLH-5-14	spacer to aline roller w-sheave	1
6	24-LLH-5-6	bronze spacer small hole	1	15	24-LLH-5-15	macaroni arm complete with STD roller	1
7	24-LLH-5-7	3/4" NC nut - fairlead shaft	1	16	24-LLH-5-16	mounting bolts (1/2" NC X 1-1/2" SS HH bolt)	2
8	24-LLH-5-8	zerk - SS	1	17	24-LLH-5-17	mounting lock washer (1/2" SS)	2
9	24-LLH-5-9	fairlead roller 4-1/2" STD	1	18	24-LLH-5-18	mounting custom flat washer (Heavy)	2

JK FABRICATION INC.
 PH. 206-297-7400 (FAX 206-297-1300) SEATTLE WA

MATERIALS: _____ DRAWING LABEL: _____

Long Line Hauler
 Macaroni Arm Assembly

DATE: _____ BY: _____ DWG NO.: _____ REV: _____

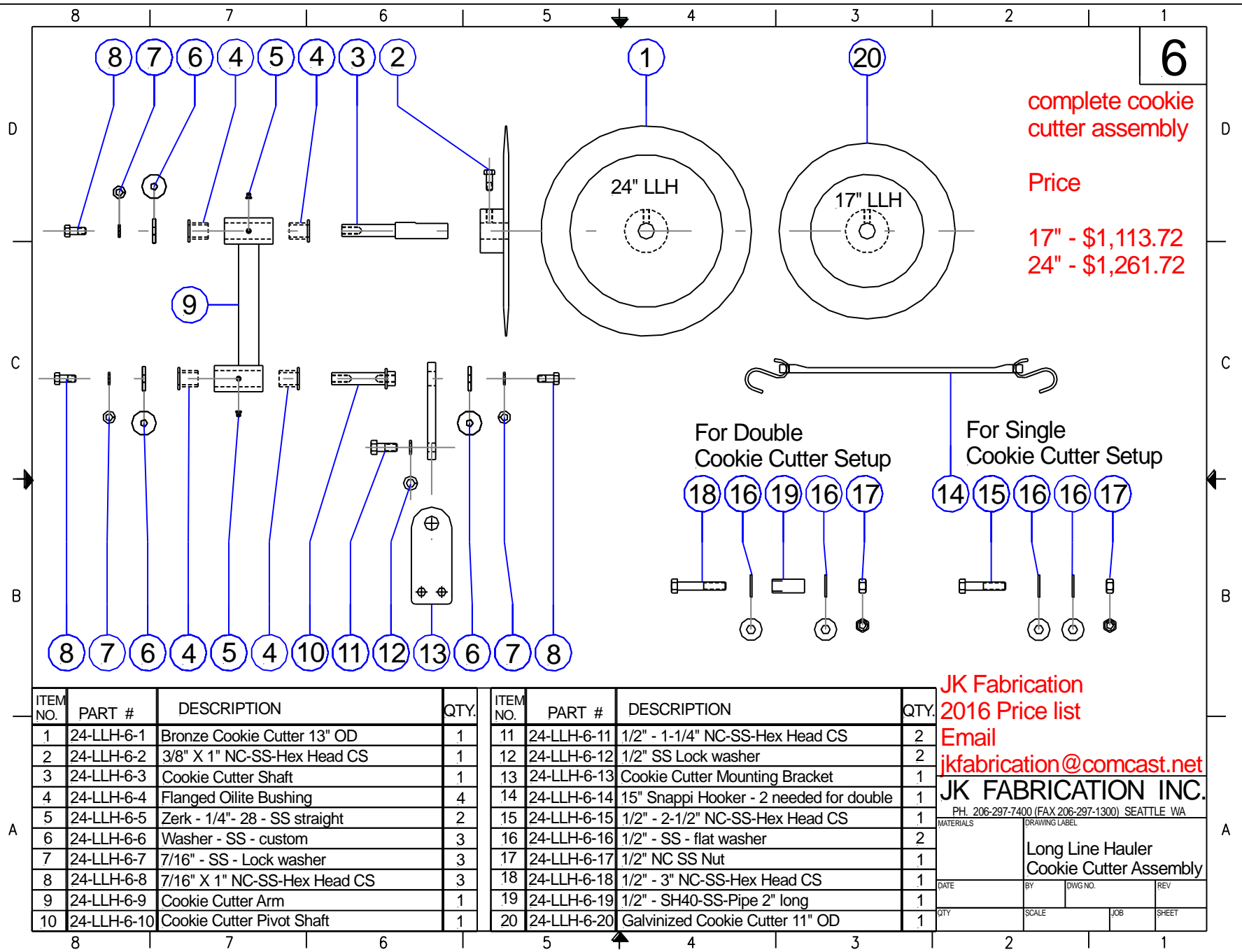
QTY: _____ SCALE: _____ JOB: _____ SHEET: _____

JK Fabrication
 2016 Price list
 Email
jkfabrication@comcast.net

ITEM NO.	PART #	DESCRIPTION	QTY.	PRICE each
1	24-LLH-5-1	macaroni Arm w/ fairlead shaft (STD)	1	\$470.00
2	24-LLH-5-2	fairlead shaft	1	\$210.00
3	24-LLH-5-3	bronze spacer large hole	1	\$29.50
4	24-LLH-5-4	bearing inner race	2	\$21.00
5	24-LLH-5-5	bearing outer	2	\$31.00
6	24-LLH-5-6	bronze spacer small hole	1	\$29.50
7	24-LLH-5-7	3/4" NF nut - fairlead shaft	1	\$1.08
8	24-LLH-5-8	zerk - SS	1	\$2.10
9	24-LLH-5-9	fairlead roller 4-1/2" STD complete w/bearings	1	\$500.00
10	24-LLH-5-10	fairlead roller 6" complete w/bearings	1	\$748.00
11	24-LLH-5-11	fairlead roller 8" complete w/bearings	1	\$1,096.00
12	24-LLH-5-12	straight cut option 4-1/2" - 6" - 8"	1	-----
13	24-LLH-5-13	macaroni arm 3" extended (with shaft)	1	\$535.00
14	24-LLH-5-14	spacer to aline v-grove roller (1/4"-3/8"-1/2")	1	\$44.00
15A	24-LLH-5-15A	macaroni arm complete with 4-1/2" roller	1	\$970.00
15B	24-LLH-5-15B	macaroni arm complete with 6" roller	1	\$1,218.00
15C	24-LLH-5-15C	macaroni arm complete with 8" roller	1	\$1,566.00
16	24-LLH-5-16	mounting bolts	2	\$2.00
17	24-LLH-5-17	mounting lock washer	2	\$0.30
18	24-LLH-5-18	mounting custom flat washer	2	\$14.00

Page 5

JK FABRICATION INC.			
PH. 206-297-7400 (FAX 206-297-1300) SEATTLE WA			
MATERIALS	DRAWING LABEL		
	24" Long Line Hauler		
DATE	BY	DWG NO.	REV
QTY	SCALE	JOB	SHEET



ITEM NO.	PART #	DESCRIPTION	QTY.	ITEM NO.	PART #	DESCRIPTION	QTY.
1	24-LLH-6-1	Bronze Cookie Cutter 13" OD	1	11	24-LLH-6-11	1/2" - 1-1/4" NC-SS-Hex Head CS	2
2	24-LLH-6-2	3/8" X 1" NC-SS-Hex Head CS	1	12	24-LLH-6-12	1/2" SS Lock washer	2
3	24-LLH-6-3	Cookie Cutter Shaft	1	13	24-LLH-6-13	Cookie Cutter Mounting Bracket	1
4	24-LLH-6-4	Flanged Oilite Bushing	4	14	24-LLH-6-14	15" Snappi Hooker - 2 needed for double	1
5	24-LLH-6-5	Zerk - 1/4" - 28 - SS straight	2	15	24-LLH-6-15	1/2" - 2-1/2" NC-SS-Hex Head CS	1
6	24-LLH-6-6	Washer - SS - custom	3	16	24-LLH-6-16	1/2" - SS - flat washer	2
7	24-LLH-6-7	7/16" - SS - Lock washer	3	17	24-LLH-6-17	1/2" NC SS Nut	1
8	24-LLH-6-8	7/16" X 1" NC-SS-Hex Head CS	3	18	24-LLH-6-18	1/2" - 3" NC-SS-Hex Head CS	1
9	24-LLH-6-9	Cookie Cutter Arm	1	19	24-LLH-6-19	1/2" - SH40-SS-Pipe 2" long	1
10	24-LLH-6-10	Cookie Cutter Pivot Shaft	1	20	24-LLH-6-20	Galvanized Cookie Cutter 11" OD	1

JK Fabrication
2016 Price list
Email

jkfabrication@comcast.net

JK FABRICATION INC.

PH. 206-297-7400 (FAX 206-297-1300) SEATTLE WA

MATERIALS		DRAWING LABEL	
Long Line Hauler Cookie Cutter Assembly			
DATE	BY	DWG NO.	REV
QTY	SCALE	JOB	SHEET

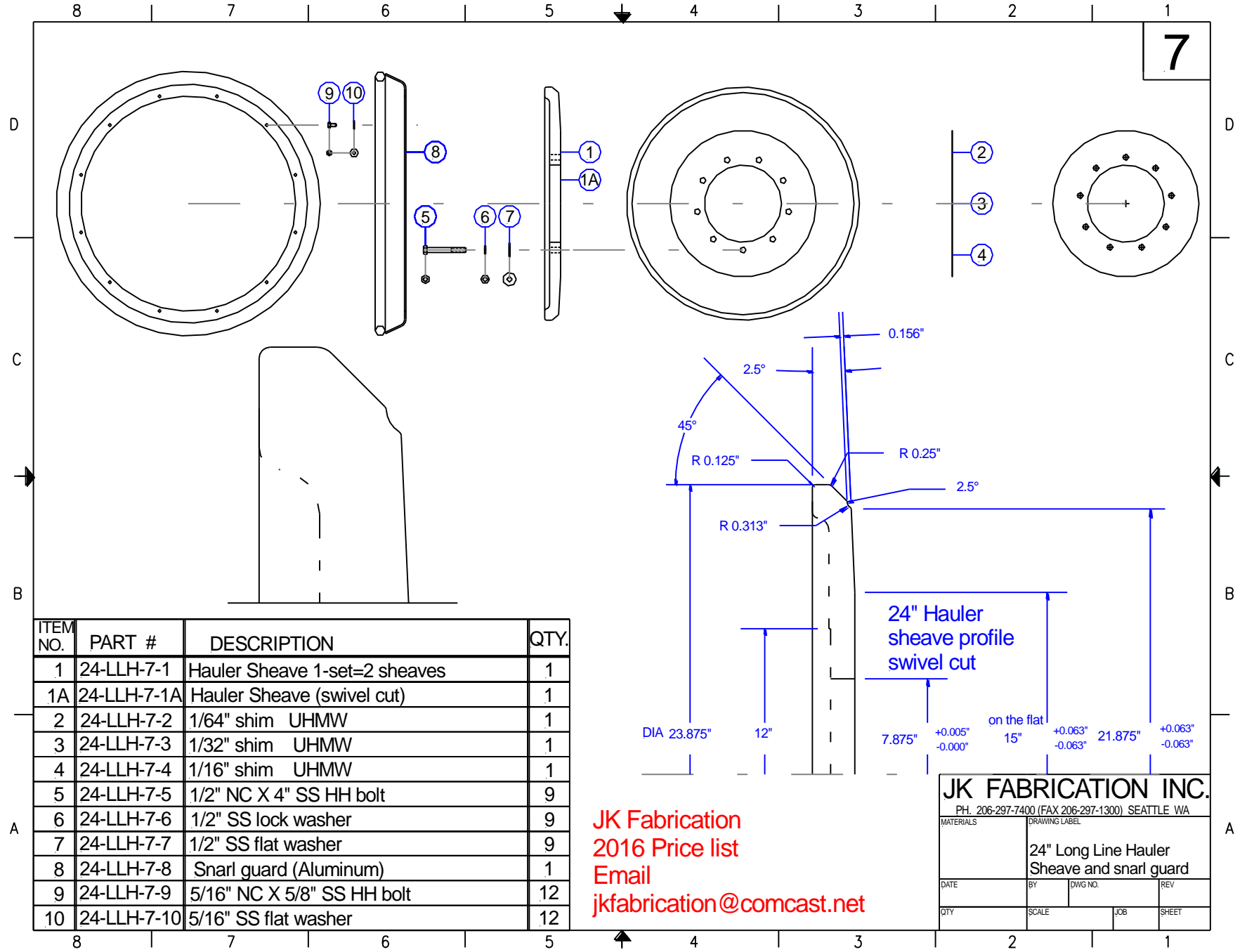
JK Fabrication
 2016 Price list
 Email
jkfabrication@comcast.net

ITEM NO.	PART #	DESCRIPTION	QTY.	PRICE each
1	24-LLH-6-1	Bronze Cookie Cutter 13" OD	1	\$423.00
2	24-LLH-6-2	3/8" X 1" NC-SS-Hex Head CS	1	\$0.30
3	24-LLH-6-3	Cookie Cutter Shaft	1	\$178.00
4	24-LLH-6-4	Flanged Oilite Bushing	4	\$16.00
5	24-LLH-6-5	Zerk - 1/4"- 28 - SS stright	2	\$2.10
6	24-LLH-6-6	Washer - SS - custom	3	\$14.00
7	24-LLH-6-7	7/16" - SS - Lock washer	3	\$0.16
8	24-LLH-6-8	7/16" X 1" NC-SS-Hex Head CS	3	\$0.60
9	24-LLH-6-9	Cookie Cutter Arm	1	\$340.00
10	24-LLH-6-10	Cookie Cutter Pivot Shaft	1	\$161.00
11	24-LLH-6-11	1/2" - 1-1/4" NC-SS-Hex Head CS	2	\$1.00
12	24-LLH-6-12	1/2" SS Lock washer	2	\$0.15
13	24-LLH-6-13	Cookie Cutter Mounting Bracket	1	\$91.00
14	24-LLH-6-14	15" Snappi Hooker - 2 needed for double	1	\$6.50
15	24-LLH-6-15	1/2" - 2-1/2" NC-SS-Hex Head CS	1	\$1.42
16	24-LLH-6-16	1/2" - SS - Lock washer	2	\$0.18
17	24-LLH-6-17	1/2" NC SS Nut	1	\$0.75
18	24-LLH-6-18	1/2" - 3" NC-SS-Hex Head CS	1	\$1.56
19	24-LLH-6-19	1/2" - SH40-SS-Pipe 2" long	1	\$24.00
20	24-LLH-6-20	Galvanized Cookie Cutter 11" OD	1	\$275.00

Page 6

JK FABRICATION INC.			
PH. 206-297-7400 (FAX 206-297-1300) SEATTLE WA			
MATERIALS	DRAWING LABEL		
	24" Long Line Hauler		
DATE	BY	DWG NO.	REV
QTY	SCALE	JOB	SHEET

7



ITEM NO.	PART #	DESCRIPTION	QTY.
1	24-LLH-7-1	Hauler Sheave 1-set=2 sheaves	1
1A	24-LLH-7-1A	Hauler Sheave (swivel cut)	1
2	24-LLH-7-2	1/64" shim UHMW	1
3	24-LLH-7-3	1/32" shim UHMW	1
4	24-LLH-7-4	1/16" shim UHMW	1
5	24-LLH-7-5	1/2" NC X 4" SS HH bolt	9
6	24-LLH-7-6	1/2" SS lock washer	9
7	24-LLH-7-7	1/2" SS flat washer	9
8	24-LLH-7-8	Snarl guard (Aluminum)	1
9	24-LLH-7-9	5/16" NC X 5/8" SS HH bolt	12
10	24-LLH-7-10	5/16" SS flat washer	12

JK Fabrication
 2016 Price list
 Email
jkfabrication@comcast.net

JK FABRICATION INC.
 PH. 206-297-7400 (FAX 206-297-1300) SEATTLE WA

MATERIALS: 24" Long Line Hauler Sheave and snarl guard

DATE: _____ BY: _____ DWG NO.: _____ REV: _____

QTY: _____ SCALE: _____ JOB: _____ SHEET: _____

JK Fabrication
 2016 Price list
 Email
jkfabrication@comcast.net

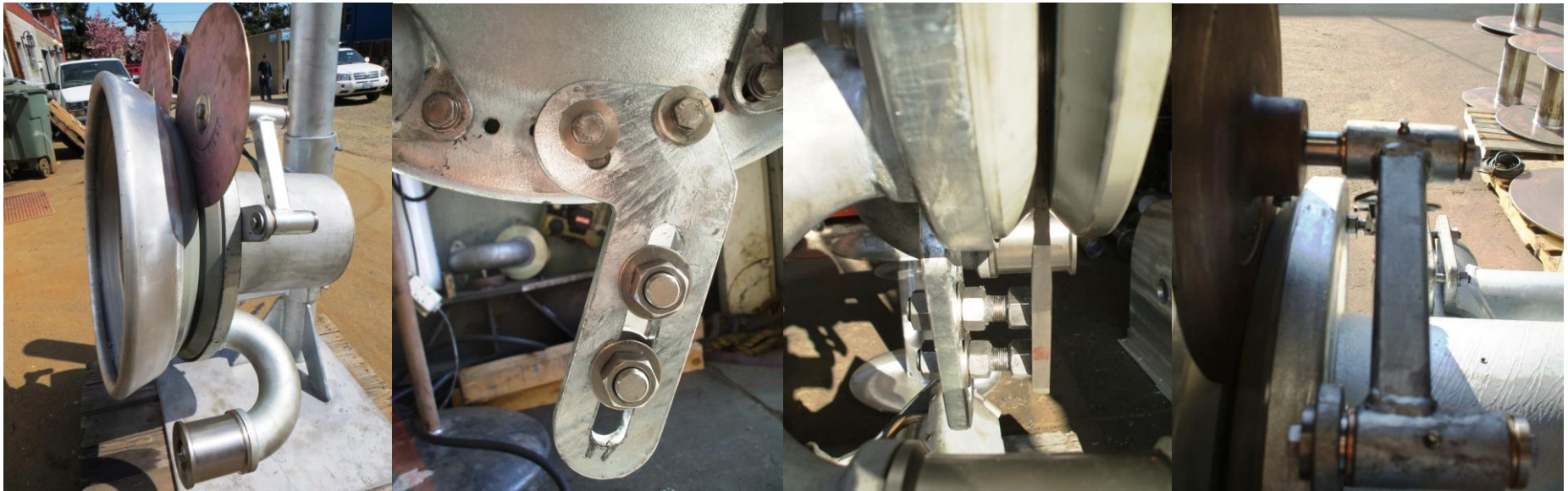
Page 7

JK FABRICATION INC.			
PH. 206-297-7400 (FAX 206-297-1300) SEATTLE WA			
MATERIALS	DRAWING LABEL		
	24" Long Line Hauler		
DATE	BY	DWG NO.	REV
QTY	SCALE	JOB	SHEET

ITEM NO.	PART #	DESCRIPTION	QTY.	PRICE each
1	24-LLH-7-1	Hauler Sheave 1-set=2 sheaves	1 set	\$2,770.00
1A	24-LLH-7-1A	Hauler Sheave (swivel cut) 1-set=2 sheaves	1 set	\$2,770.00
2	24-LLH-7-2	1/64" shim UHMW	1	\$29.90
3	24-LLH-7-3	1/32" shim UHMW	1	\$29.90
4	24-LLH-7-4	1/16" shim UHMW	1	\$29.90
5	24-LLH-7-5	1/2" NC X 4" SS HH bolt	9	\$2.10
6	24-LLH-7-6	1/2" SS lock washer	9	\$0.18
7	24-LLH-7-7	1/2" SS flat washer	9	\$0.15
8	24-LLH-7-8	Snarl guard	1	\$805.00
9	24-LLH-7-9	5/16" NC X 5/8" SS HH bolt	12	\$0.10
10	24-LLH-7-10	5/16" SS flat washer	12	\$0.03

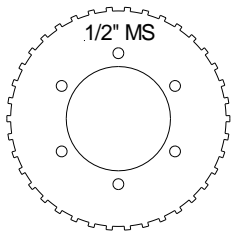


 **J.K. FABRICATION, Inc.**
HYDRAULIC MARINE EQUIPMENT
Exclusive Manufacturer of NORDIC Products
206-297-7400 Seattle, Washington 98199
jkfabrication@comcast.net

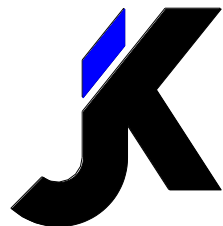


Pick up sensor kit
for
JK Fab 24"
longline hauler

sensor plate, galvanized steel	\$298.00
DBQ5 sensor tester	\$160.00
016056 pickup sensor	\$215.00
456412 30 meter line plus 90 degree plug	\$90.00
Disassemble gearbox, drill and tap to accept sensor plate, install plate and reassemble, Install pickup sensor and test	\$1,100.00
Galvanize steel sensor cover plate	<u>\$200.00</u>
Total	\$2,063.00 US



sensor plate, galvanized steel



J.K. FABRICATION, Inc.
HYDRAULIC MARINE EQUIPMENT
Exclusive Manufacturer of NORDIC Products
206-297-7400 Seattle, Washington 98199
jkfabrication@comcast.net