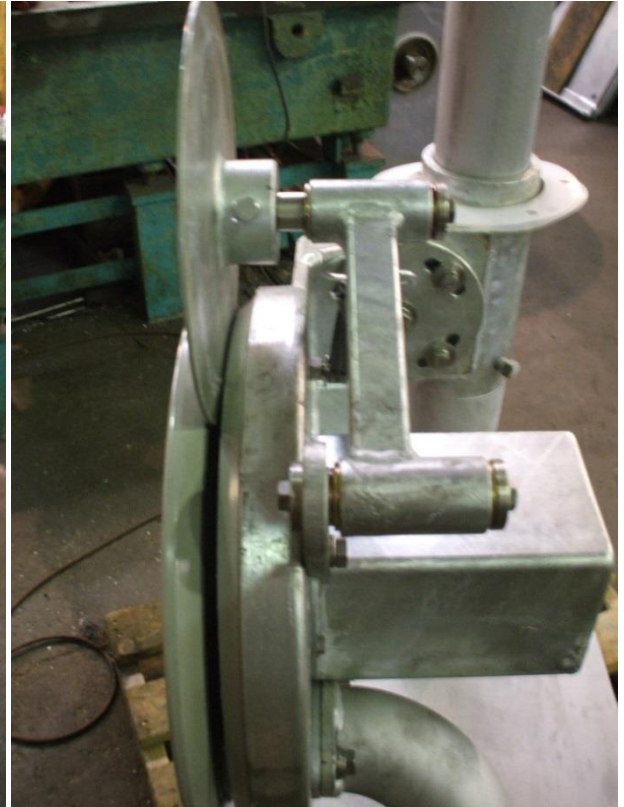
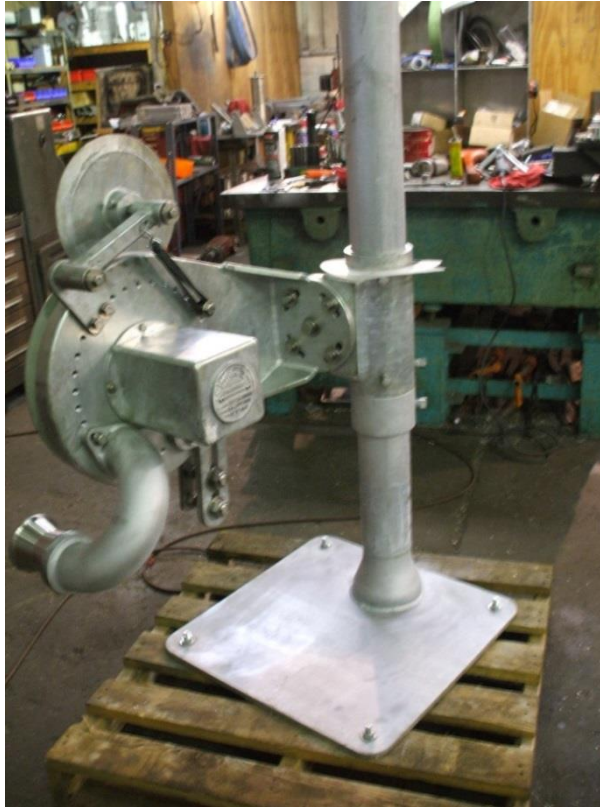
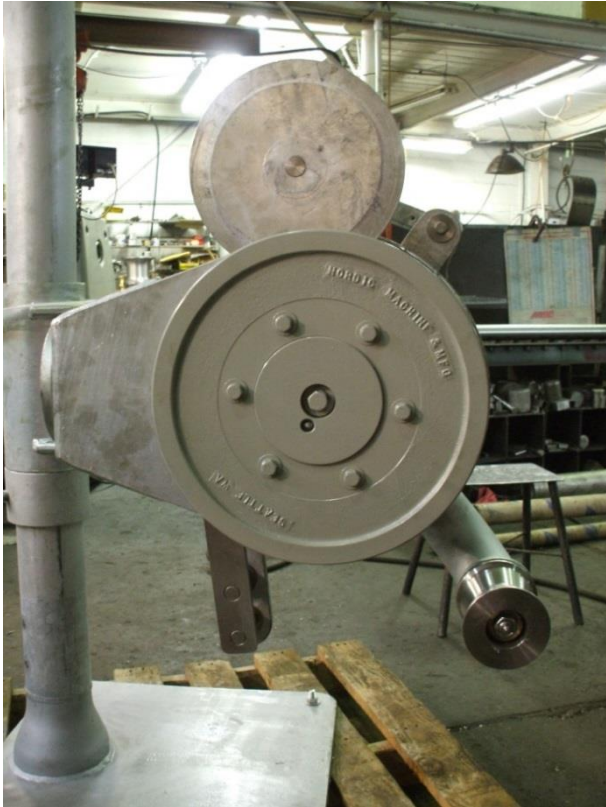
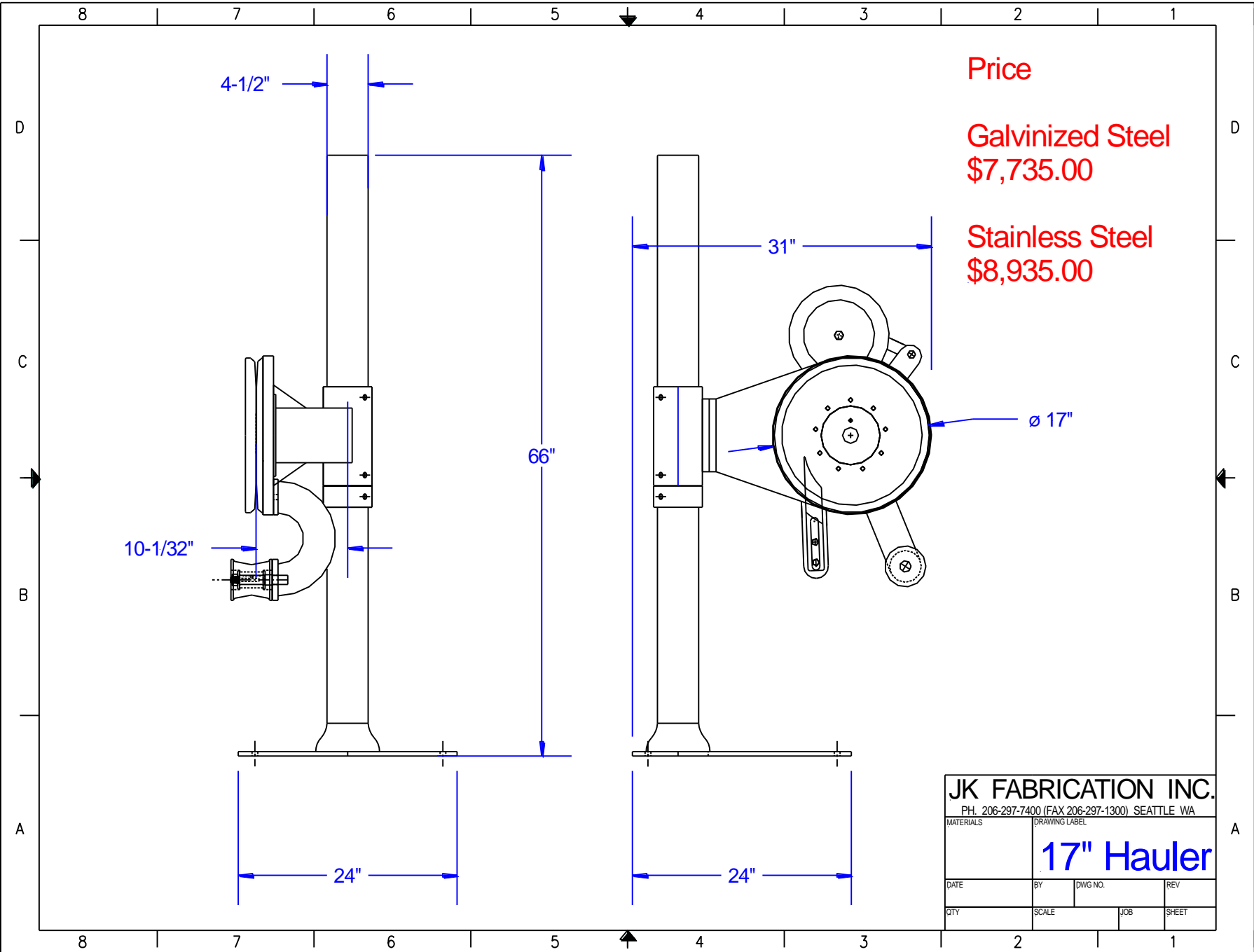


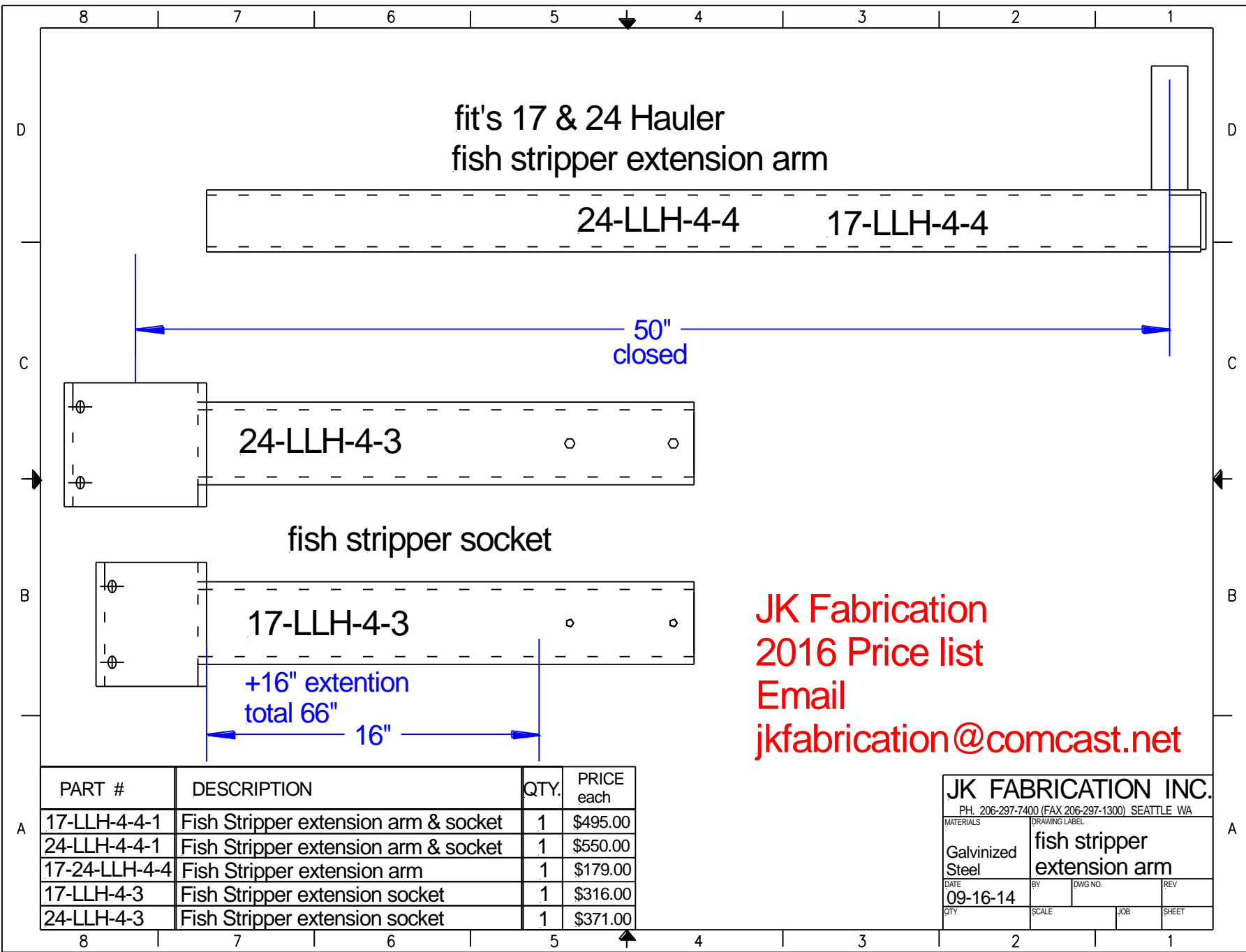
J.K. FABRICATION, Inc.
HYDRAULIC MARINE EQUIPMENT
Exclusive Manufacturer of NORDIC Products
206-297-7400 Seattle, Washington 98199
jkfabrication@comcast.net

17" Longline Hauler





JK FABRICATION INC.			
PH. 206-297-7400 (FAX 206-297-1300) SEATTLE WA			
MATERIALS	DRAWING LABEL		
17" Hauler			
DATE	BY	DWG NO.	REV
QTY	SCALE	JOB	SHEET



fit's 17 & 24 Hauler
fish stripper extension arm

24-LLH-4-4 17-LLH-4-4

50"
closed

24-LLH-4-3

fish stripper socket

17-LLH-4-3

+16" extention
total 66"

16"

JK Fabrication
2016 Price list
Email
jkfabrication@comcast.net

PART #	DESCRIPTION	QTY.	PRICE each
17-LLH-4-4-1	Fish Stripper extension arm & socket	1	\$495.00
24-LLH-4-4-1	Fish Stripper extension arm & socket	1	\$550.00
17-24-LLH-4-4	Fish Stripper extension arm	1	\$179.00
17-LLH-4-3	Fish Stripper extension socket	1	\$316.00
24-LLH-4-3	Fish Stripper extension socket	1	\$371.00

JK FABRICATION INC.			
PH. 206-297-7400 (FAX 206-297-1300) SEATTLE WA			
MATERIALS	DRAWING LABEL		
Galvanized Steel	fish stripper extension arm		
DATE	BY	DWG NO.	REV
09-16-14			
QTY.	SCALE	JOB	SHEET