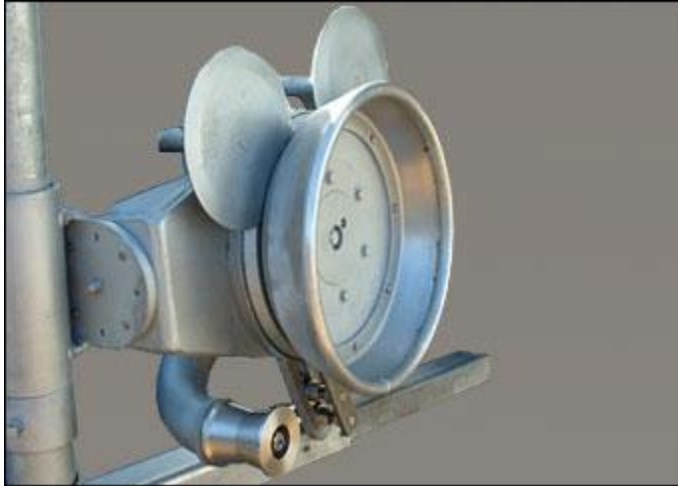


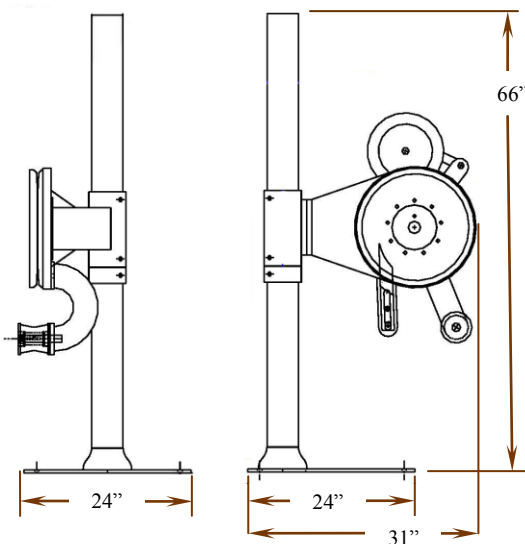
# 17" LONGLINE HAULER



The Standard J.K. Fabrication 17" Longline Hauler comes complete with One Cookie Cutter\* (Note: Above picture displays Optional 2<sup>nd</sup> Cookie Cutter), One Fairlead, Adjustable Peeler, and Stand.

(Note: Above Picture also displays Optional Outboard Snarl Guard Sheave arrangement). Please consult with J.K. Fabrication should you need this optional feature.

The J.K. Fabrication 17" Longline Hauler is generally used for smaller commercial fishing vessels hauling 7mm to 8mm Diameter Groundline.



\*Standard with each 17": Only One Cookie Cutter, One Fairlead, Adjustable Peeler Assembly & The Stand.

## 17" LONGLINE CONVERTIBLE HAULER

Convertible means that no matter how the vessel is configured, you can take our hauler apart, turn it left or right on any angle, up or down, and it will work.

Our units are Hot-dipped Galvanized finish. Standard Sheaves are Cast Iron. (Optional Stainless Steel or Bronze Materials are available).

Our reputation for building quality hydraulic deck equipment is well-known throughout the West Coast, Alaska, and Russia.

### PRODUCT SPECIFICATIONS

*Standard*

Line Pull	970 Lbs @ 1,500 PSI	1,300 Lbs @ 2,000PSI
Line Speed	268 FPM @ 12 GPM	408 FPM @ 18 GPM
Weight	500 lbs	

### KEY FEATURES FOR 17" LONGLINE HAULER

- Galvanized and Stainless Steel Construction
- Cast Iron Main Drive Sheaves, Optional Stainless Steel or Bronze Sheaves Available
- Standard J.K. Fabrication 17" Longline Hauler Comes Complete with One Cookie Cutter, One Fair-lead, Adjustable Peeler Assembly & the Stand.

For Ordering J.K. Fabrication Marine Equipment, please consult:  
**J.K FABRICATION, INC.**  
 3101 W. Commodore way #3  
 Seattle, WA 98199 USA  
 Phone: 206-297-7400  
 Fax: 206-297-1300  
[www.jkfabrication.com](http://www.jkfabrication.com)  
 E-Mail: [jkfabrication@comcast.net](mailto:jkfabrication@comcast.net)